

LAYERED SHADES

Product Information Guide

Features

Layered Shades, Features and Benefits	2
Fabric Styles and Information	3
Light Control and Privacy, Fabric Recommendations, Light Gap, Fabric Disclaimers, Cleaning and Care Information	
Fabric Certifications	4

Size Considerations

Mounting Depth Illustrations	5
Maximum Shade Size: Continuous and Enclosed Loop Options	6 – 8
Maximum Shade Size: Cordless Lift Options	9

Options

Summary (for surcharges and pricing refer to price charts), Projection Brackets	10
EasyTouch Cordless Lift	10
Continuous Loop, Enclosed Loop and Motorized Lift	11
Corner Windows, Adjacent Shadings	12
Bay Windows	13

General Information

EasyTouch Cordless Lift Product Detail	14
Continuous Cord Loop Lift Product Detail	15
Enclosed Loop Lift Product Detail	16
Color Coordination Charts	17–19

PLEASE NOTE:

Photos and illustrations are for inspiration only.
Not all product configurations are available in all countries.

Window blind cords are a strangulation hazard for young children. Consult your dealer or store associate for cordless products, or products with inaccessible cords. Remove this product immediately if a cord longer than 22 cm, or a loop exceeding 44 cm, becomes accessible.

VEUILLEZ NOTER :

Les photos et les illustrations ne sont offertes qu'à titre d'inspiration. Toutes les configurations de produits ne sont pas disponibles dans tous les pays.

Les cordons pour store de fenêtre représentent un risque d'étranglement pour les jeunes enfants. Consultez votre dépositaire ou un associé de magasin pour des produits sans cordon ou des produits dont les cordons ne sont pas accessibles.

Retirez ce produit immédiatement si un cordon mesurant plus de 22 cm de longueur ou une boucle dépassant 44 cm deviennent accessibles.



Features

Layered Shades

- Dual layers of horizontal fabric segments alternating between sheer and semi-opaque or opaque fabric
- When open and the stripes are aligned, light filters through the sheer fabric
- Shades control the amount of incoming light and the view-through with the shade partially raised or lowered

Features	Benefits
EasyTouch Cordless Lift	<ul style="list-style-type: none"> • Cordless design allows you to precisely place your shade the first time every time • EasyTouch system and seamless fabric means whisper-quiet performance • Allows you to lift and lower shades with the touch of a finger for virtually weightless, smooth, quiet operation and precise placement • Flawless performance and provide a safe environment for kids and pets • Choose from six colors of hembar <ul style="list-style-type: none"> • Hembar color selected is also used for cassette end caps
Continuous-Loop Lift (U.S. ONLY)	<ul style="list-style-type: none"> • Cord and clutch system makes raising and lowering shade easy • Cord remains at same length, regardless of shade position • Choose left or right cord location • Color coordinated cords • Choose from six colors of hembar <ul style="list-style-type: none"> • Hembar color selected is also used for cassette end caps and cord guide
Enclosed Loop Lift (Canada ONLY)	<ul style="list-style-type: none"> • Set and secure shade in any position • Choose left or right lift position • Three cord cover options to coordinate with your desired style • Choose from six colors of hem bar <ul style="list-style-type: none"> • Hem bar color selected is also used for cassette end caps
Motorized Lift	<ul style="list-style-type: none"> • Window treatments can be operated from virtually anywhere in the home • Easily operate hard-to-reach or large window coverings • Operate multiple window treatments simultaneously or individually
Fabric-Wrapped Cassette	<ul style="list-style-type: none"> • Fabric-wrapped cassette (standard) creates a cohesive appearance in the window • Now comes in 3 sizes to enable you to have shades for your desired sized windows. Sizes are: Small – 2.5" (Continuous and Enclosed Loop Lift and Motorization Only), Medium – 3", and Large – 4" (Cordless Only)
Warranty	<ul style="list-style-type: none"> • Limited lifetime warranty and five-year warranty on motorization components

Features

Fabric Styles and Information

Style Name*	Color Name	Opacity/Privacy/ Light Control	Fabric Composition	Oeko-Tex® Certified	Fire Retardant Rated	Band Size
Aloft	Blizzard Skyline	Transparent	100% polyester	•	•	Small Small
Aloft Sparkle	White Sand Quicksilver	Transparent	100% polyester	•	No	Small
Ashen	Almond Bark Brushed Pewter Dreamy Mist Whitetail	Room Darkening	100% polyester	•	No	Extra Large Extra Large Extra Large Extra Large
Bay Breeze	Fresh Air Papaya Salty Breeze	Light Filtering	100% polyester	No	No	Small Small Small
Beachcomber	Dark Gray Foggy Morning Ivory Shell	Light Filtering	100% polyester	•	No	Small Small Small
Braided	Cloud Nine Ice White Restful Tan Warm Ivory	Light Filtering	100% polyester	No	No	Small Small Small Small
	Quiet Gray	Room Darkening				Small
Breezy	Bay Blue Hushed Gray Salted Toffee Soft Beige Wind Chime	Room Darkening	100% polyester	•	No	Medium Medium Medium Medium Medium
	Coconut Wave Crushed Sand Sage	Light Filtering				Small Small Small
Coastal Beach	Tidal Waves	Light Filtering	100% polyester	•	No	Small Small Small
	Ashwood Espresso Linen					Light Filtering
Grenada	Fresh White Soft Silver Rich Brown	Light Filtering	100% polyester	•	No	Small Small Small
Idyllic	Inkwell	Transparent	100% polyester	•	No	Small Small Small
	Ivory Ice Simply White					Small Small
Martingale	Mixed Metals Snowflake	Room Darkening	100% polyester	•	No	Small Small
Relaxed Seas	Barnacle Gray	Transparent	100% polyester	•	No	Small Small Small
	Seashell True White					Small Small
Restful Linen	Crisp Khaki Dove Gray Powder Gray Soft White	Room Darkening	94.2% polyester / 5.8% linen	•	No	Extra Large Extra Large Extra Large Extra Large
	Light Mist Shoreline Water Lily	Light Filtering	93% polyester / 7% linen	No	No	Small Small Small
Sandy Isles	Gray Dawn Mineral Gray Washed Shell White Beach Marine Blue	Light Filtering	65% PVC / 35% polyester	No	•	Small Small Small Small
	Onyx Treasure Chest	Transparent	100% polyester	•	No	Small Small Small
Seashore	Cocoa Granite Moss	Light Filtering	100% polyester	•	No	Small Small Small
Sponson	Bright White Doily	Light Filtering	100% polyester	•	No	Small Small
	Dolphin Evening Gray Mushroom Sunlit Stone	Light Filtering	100% polyester	•	No	Small Small Small Small
Trimaran	Apollo Doily Nickel Penny	Light Filtering	100% polyester	•	No	Small Small Small Small
	Hazy Lilac Himalayan Salt Stone	Light Filtering	100% polyester	•	No	Small Small Small

*All sheer stripes are 2", semi-opaque/opaque stripes vary from 2¾" to 3" based on style.
See actual samples.

Dimensions	Band Size		
	Small	Medium	Extra Large
	2.76-3.07" (70-78mm)	3.14-3.35" (80-85mm)	4.72" (120mm)

Features

Light Control and Privacy

Sheer: Allows the most amount of light into the room for a minimum amount of privacy and a view to the outside. Objects in the room can be seen quite clearly through shades.

Privacy level: moderate

Light Filtering*: Allows light to gently filter through and provides privacy. Images and shapes may be seen through these shades, but details are not visible. Deep fabric colors provide moderate light control, while light colors provide lower light control. **Privacy level:** moderate

*These fabrics are translucent and their colors may be influenced by changing light conditions. Colors may appear to vary depending upon the time of day and type of lighting, as well as whether the shade is partially or fully lowered.

Room Darkening*: Allows some light to filter into the room and provides privacy. Objects in a lit room seen through these shades appear as vague shapes. Deep fabric colors darken a room; light colors filter and diffuse bright sunlight.

Privacy level: complete

Light Gaps: For optimal light and glare control, outside mount is recommended, or you may add a secondary soft window treatment (drapery or curtain) to hide the light gap on an inside mount. **Privacy level:** moderate

Fabric Recommendations

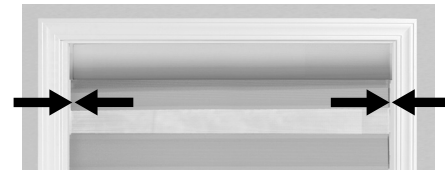
Order all shades for the same room at the same time to ensure color consistency and to minimize dye lot variation. For side-by-side layered shades, request stripe alignment. Stripes can be aligned to within 1/4".

NOTE: Shades must be ordered at the same time with the same fabric style and height.

Light Gap

The fabric width is narrower than the finished shade width of the tube and its components. See chart below for light gap.

Control Type	Control End	Idle End
	Inside Mount (inches)	Inside Mount (inches)
Continuous-Loop Lift (U.S. Only)	1	3/4
Enclosed Loop Lift (Canada Only)	1	3/4
EasyTouch Cordless	1/2	1/2
Motorized Lift	1 1/16	3/4



Inside Mount Light Gap
Refer to Light Gap Chart

Fabric Disclaimers

Due to the nature of the weaving process, some imperfections in the weave are normal. Fabric appearance can vary based on changing light conditions in the room.

Cleaning and Care Information

Regular light dusting with a feather duster, vacuum with low suction, or a hairdryer on a cool temperature.

Fabric Certifications

Oeko-Tex® Standard 100 certifies that our fabrics are free of PVC, halogen, lead, formaldehyde, allergenic dyes, pesticides, phenols, heavy metals, and meet all VOC content limits.

oeko-tex.com

Oeko-Tex is a registered trademark of the Oeko-Tex Association.



Size Considerations

Mounting Depth Illustrations

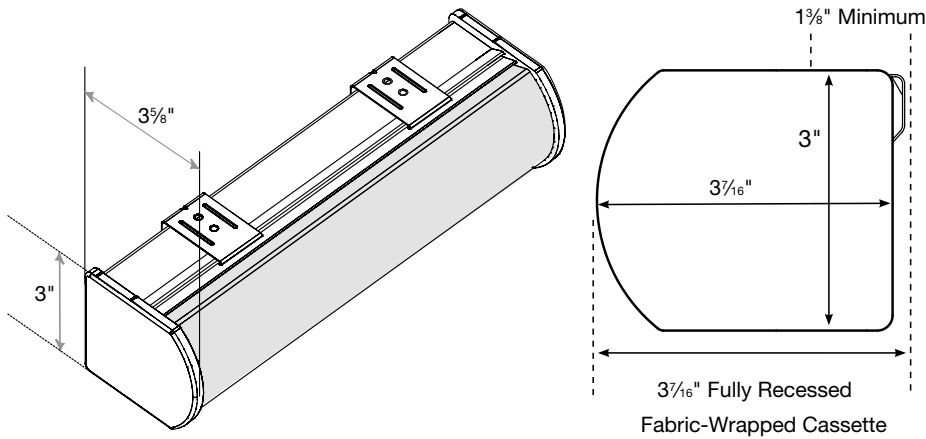
The following diagram illustrates the mounting depth requirements for shades mounted inside window casements.

Continuous Loop, Enclosed Loop, and Motorized Lift includes small cassettes

Cordless Lift includes Medium and Large cassettes

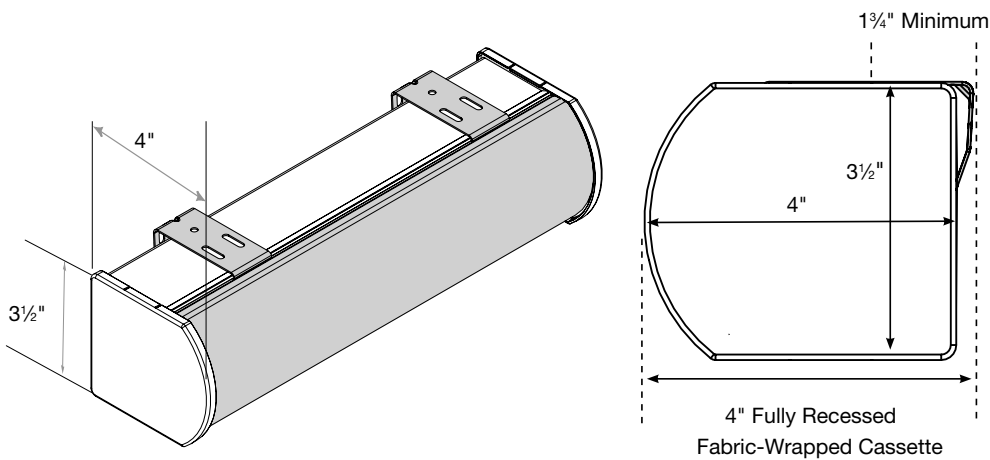
NOTE: Cassette sizes are determined by lift system and specific fabric requirements.

Small Cassette (Continuous Loop, Enclosed Loop, and Motorized Lift Only)



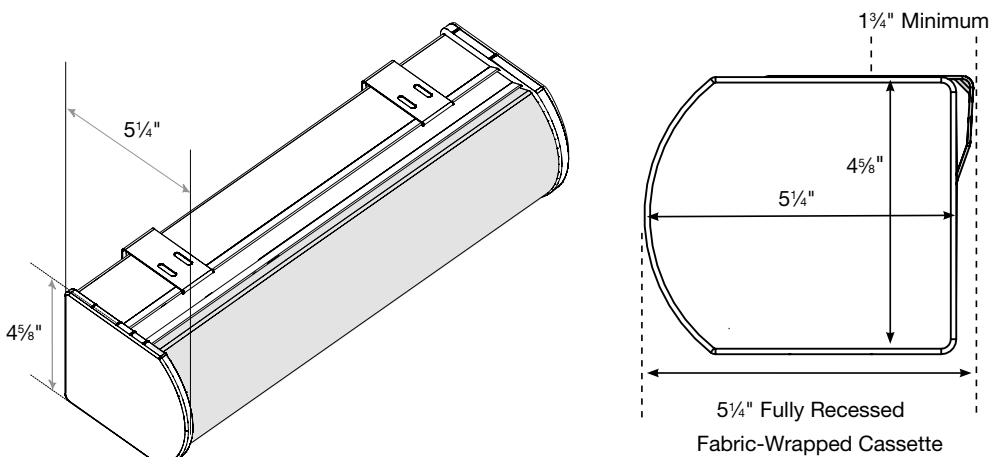
Minimum Mounting Depth	1 3/8"
Flush Mount Depth	3 7/16"

Medium Cassette (Cordless Only)



Minimum Mounting Depth	1 1/4"
Flush Mount Depth	4"

Large Cassette (Cordless Only)



Minimum Mounting Depth	1 1/4"
Flush Mount Depth	5 1/4"

Size Considerations

Maximum Shade Size: Enclosed and Continuous Loop

NOTE: Shaded areas are available for order.

Minimum width: 12"

Minimum length: 12" all control types

For sizes within the next size break, please reach out to customer service or enter order into ordering system to confirm if size is available to order.

Fabric: Aloft & Aloft Sparkle		Width up to (in.) →													
Length up to (in.) ↓		24	30	36	42	48	54	60	66	72	78	84	90	96	102
24															
30															
36															
42															
48															
54															
60															
66															
72															
78															
84															
90															
96															
102															
108															
110															

Fabric: Ashen		Width up to (in.) →													
Length up to (in.) ↓		24	30	36	42	48	54	60	66	72	78	84	90	96	102
24															
30															
36															
42															
48															
54															
60															
66															
72															
78															
84															
90															
96															
102															
108															
110															

Fabric: Braided		Width up to (in.) →													
Length up to (in.) ↓		24	30	36	42	48	54	60	66	72	79	86	90	96	102
24															
30															
36															
42															
48															
54															
60															
66															
72															
78															
84															
90															
96															
102															
108															
110															

Fabric: Beachcomber		Width up to (in.) →													
Length up to (in.) ↓		24	30	36	42	48	54	60	66	72	78	84	90	96	102
24															
30															
36															
42															
48															
54															
60															
66															
72															
78															
84															
90															
96															
102															
108															
110															

Fabric: Coastal Beach		Width up to (in.) →													
Length up to (in.) ↓		24	30	36	42	48	54	60	66	72	78	84	90	98	102
24															
30															
36															
42															
48															
54															
60															
66															
72															
78															
84															
90															
96															
102															
108															
110															

Fabric: Breezy		Width up to (in.) →													
Length up to (in.) ↓		24	30	36	42	48	54	60	66	72	78	84	90	96	102
24															
30															
36															
42															
48															
54															
60															
66															
72															
78															
84															
90															
96															
102															
108															
110															

Fabric: Idyllic		Width up to (in.) →													
Length up to (in.) ↓		24	30	36	42	48	54	60	66	78	91	94	96	98	102
24															
30															
36															
42															
48															
54															
60															
66															
72															
78															
84															
90															
96															
102															
108															
110															

Fabric: Grenada		Width up to (in.) →													
Length up to (in.) ↓		24	30	36	42	48	54	60	66	72	78	84	90	96	102
24															
30															
36															
42															
48															
54															
60															
66															
72															
78															
84															
90															
96															
102															
108															
110															

Size Considerations

Maximum Shade Size: Enclosed and Continuous Loop

NOTE: Shaded areas are available for order.

Minimum width: 12"

Minimum length: 12" all control types

For sizes within the next size break, please reach out to customer service or enter order into ordering system to confirm if size is available to order.

Fabric: Martingale														
Length up to (in.)	Width up to (in.)													
	24	30	36	42	48	54	60	66	72	79	86	90	96	102
24														
30														
36														
42														
48														
54														
60														
66														
72														
78														
84														
90														
96														
102														
108														
110														

Fabric: Island Waves														
Length up to (in.)	Width up to (in.)													
	24	30	36	42	48	54	60	66	72	79	86	90	96	102
24														
30														
36														
42														
48														
54														
60														
66														
72														
78														
84														
90														
96														
102														
108														
110														

Fabric: Restful Linen														
Length up to (in.)	Width up to (in.)													
	24	30	36	42	48	54	60	66	72	78	84	95	99	102
24														
30														
36														
42														
48														
54														
60														
66														
72														
78														
84														
90														
96														
102														
108														
110														

Fabric: Relaxed Seas														
Length up to (in.)	Width up to (in.)													
	24	30	36	42	48	54	60	66	72	79	86	90	96	102
24														
30														
36														
42														
48														
54														
60														
66														
72														
78														
84														
90														
96														
102														
108														
110														

Fabric: Sandy Isles														
Length up to (in.)	Width up to (in.)													
	24	30	36	42	48	54	60	66	72	79	86	90	96	102
24														
30														
36														
42														
48														
54														
60														
66														
72														
78														
84														
90														
96														
102														
108														
110														

Fabric: Salty Air														
Length up to (in.)	Width up to (in.)													
	24	30	36	42	48	54	60	66	72	79	86	90	96	102
24														
30														
36														
42														
48														
54														
60														
66														
72														
78														
84														
90														
96														
102														
108														
110														

Fabric: Seashore														
Length up to (in.)	Width up to (in.)													
	24	30	36	42	48	54	60	66	72	79	86	90	96	102
24														
30														
36														
42														
48														
54														
60														
66														
72														
78														
84														
90														
96														
102														
108														
110														

Fabric: Seaport														
Length up to (in.)	Width up to (in.)													
	24	30	36	42	48	54	60	66	72	79	86	90	96	102
24														
30														
36														
42														
48														
54														
60														
66														
72														
78														
84														
90														
96														
102														
108														
110														

Size Considerations

Maximum Shade Size: Enclosed and Continuous Loop

NOTE: Shaded areas are available for order.

Minimum width: 12"

Minimum length: 12" all control types

For sizes within the next size break, please reach out to customer service or enter order into ordering system to confirm if size is available to order.

Fabric: Sunbaked Ember														
Length up to (in.)	Width up to (in.) →													
	24	30	36	42	48	54	60	66	72	79	86	90	96	102
24														
30														
36														
42														
48														
54														
60														
66														
72														
78														
84														
90														
96														
102														
108														
110														

Fabric: Sponson														
Length up to (in.)	Width up to (in.) →													
	24	30	36	42	48	54	60	66	72	78	84	90	97	102
24														
30														
36														
42														
48														
54														
60														
66														
72														
78														
84														
90														
96														
102														
108														
110														

Fabric: Washed Sands														
Length up to (in.)	Width up to (in.) →													
	24	30	36	42	48	54	60	66	72	79	86	90	96	102
24														
30														
36														
42														
48														
54														
60														
66														
72														
78														
84														
90														
96														
102														
108														
110														

Fabric: Trimaran														
Length up to (in.)	Width up to (in.) →													
	24	30	36	42	48	54	60	66	72	79	86	90	96	102
24														
30														
36														
42														
48														
54														
60														
66														
72														
78														
84														
90														
96														
102														
108														
110														

Options

Summary (for surcharges and pricing refer to price charts)

Below is a list of options for layered shades. All options are available in all styles and colors. See detailed descriptions on the following pages.

Control Type Options:

- Continuous-Loop Lift (U.S. Only)
- Motorized lift (see motorization product information guide)

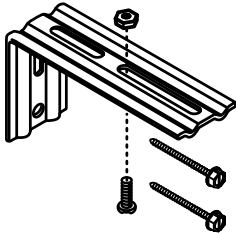
Shade Options—Surcharge

- EasyTouch Cordless Lift
- Enclosed Loop Lift (Canada Only)
- Motorization (see motorization product information guide)

Shade Options—No Charge

- Bay and corner windows
- Chain length (must specify different length)
- Chain location
- Projection brackets 3¼" and 4"
 - 3¼" projection brackets add up to 2⅛" extension from wall
 - 4" projection brackets add up to 2⅞" extension from wall

Projection Brackets



- **No charge**
- Available with EasyTouch Cordless Lift, Enclosed Loop Lift, and motorized lift with cassette on outside mounts
- Two sizes: 3¼" and 4"
- 3¼" projection brackets add up to 2⅛" extension from wall
- 4" projection brackets add up to 2⅞" extension from wall

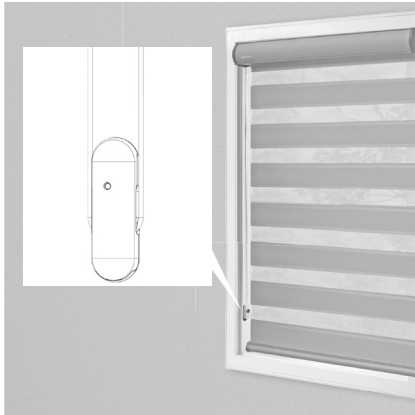
EasyTouch Cordless Lift



- Proprietary lift system with precision placement — raise and lower the shade by moving the hem bar exactly where you want it
- Easy and smooth lift for all shade sizes
- Shade is spring loaded and will self-center when installed
- A safer alternative for homes with children or pets
- Outside mount is recommended for maximum light control
- Flawless performance and provide a safe environment for kids and pets
- Choose from six colors of hembar
- Hembar color selected is also used for cassette end caps
- For surcharge, see price charts

Options

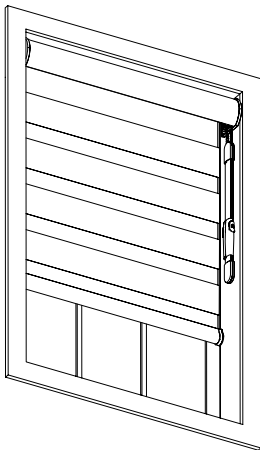
Continuous Cord Loop Lift (U.S. ONLY)



- **Standard**
- Cord loop and clutch system makes raising and lowering shade easy
- Special cord loop length must be requested at time of order
- Cord remains at same length regardless of shade position
- Color coordinated cord loop and cord guide
- Safety cord guide provides the ability to keep the cord out of the reach of children and pets to enhance safety
- Choose left or right cord location
- Outside mount is recommended for maximum light control

NOTE: Cord tensioner must be installed to operate shade.

Enclosed Loop Lift (Canada ONLY)



- Smooth & Simple Operation
- Set and secure shade in any position
- Simply hold button of the direction you wish shade to move on handle, then pull handle down the length of the cord-cover to change shade position
- Elegant, appearance without long, dangling cords
- Increased safety for children and pets
- Available in a full range of sizes for any window: 18, 24, 36, 48, 60, 72, 84 inches
- Cover available in White, Cream and Gray
- Cord color is Bamboo only
- Outside mount is recommended for maximum light control

NOTE: Enclosed Loop Lift must be installed to operate shade

Motorized Lift



- **See motorization product information guide for additional options and pricing**
- In the down position, the shade will be closed; in the HOME position, the shade is lowered with the stripes aligned
- Allows for easy operation of hard-to-reach or large window coverings
- Efficiently manages energy (heat gain and loss)
- Motorized lift shades are cordless and are a safer choice for homes with children or pets
- Low-voltage motorization requires no costly electrical hardwiring
- Powered with battery or plug-in transformer
- Motor located on the left or right side, standard on the right
- Window treatments can be operated from virtually anywhere in the home
- Operate multiple window treatments simultaneously or individually

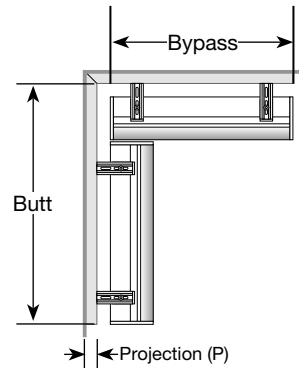
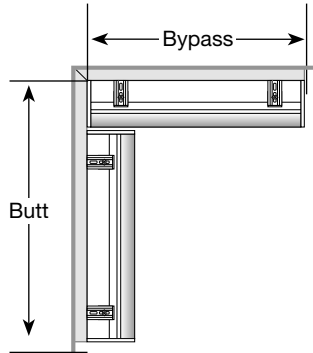
NOTE: Motorization components and accessories have a five-year limited warranty, excluding batteries.

Options

Corner Windows



Shades on Corner Windows



- **No charge**
- Made as individual shades
- Each shade will have its own control; we recommend opposite corners
- Indicate for each shade whether butt or bypass
- Bypass shade is mounted into the corner; butt shade is butted to the other shade
- Manufacturer will take appropriate deductions for proper fit; **DO NOT** order as a corner shade if you do not want manufacturer to take deductions

Measuring Information

Mounting on a Wall or Molding:

Measure the width of each window from the corner on the mounting surface (molding or wall) to the point you would like to cover.

Mounting Above the Molding:

Measure the width of each window from the corner on the mounting surface to the point you would like to cover.

Projection measurement is the distance needed to clear any molding or obstructions that the shade will be mounted above.

NOTE: The projection (P) distance is needed to correctly calculate deductions for installations where the shades will use shims or projection brackets to clear molding. All projection distances must match for correct deductions to be calculated.

Adjacent Shadings

To cover wide window openings, shadings may be installed adjacently so ends of the cassette headrail touch. The gap between the fabric panels of the adjacent shadings varies according to the control placement as shown in the table.

Control Placement for Adjacent Shades				
Control Placement		Gap		
Left Shade Control	Right Shade Control	Continuous-Loop Lift (inches)	Enclosed Loop Lift (inches)	Easy Touch Cordless Lift (inches)
Right	Right	1¼	1¼	1
Left	Left	1¼	1¼	1
Right	Left	2	2	1
Left	Right	1½	1½	1

Side-by-Side Alignment

Stripe alignment to within ¼" is available upon request only for shades ordered at the same time with the same fabric style and height. Add note in special instructions at time of order, or contact customer service for assistance.

Options

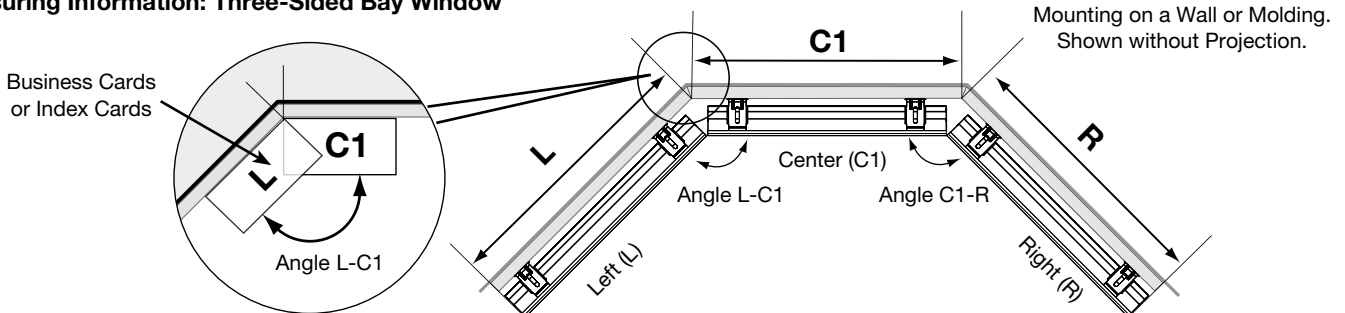
Bay Windows



Shades on Bay Windows

- **No charge**
- Made as individual shades
- Each section will have its own control
- Manufacturer will take appropriate deductions for proper fit; **DO NOT** order as a bay window shade if you do not want manufacturer to take deductions

Measuring Information: Three-Sided Bay Window



Measure:

L and R: Width of each side window from the corners on the mounting surface to the point you would like to cover.

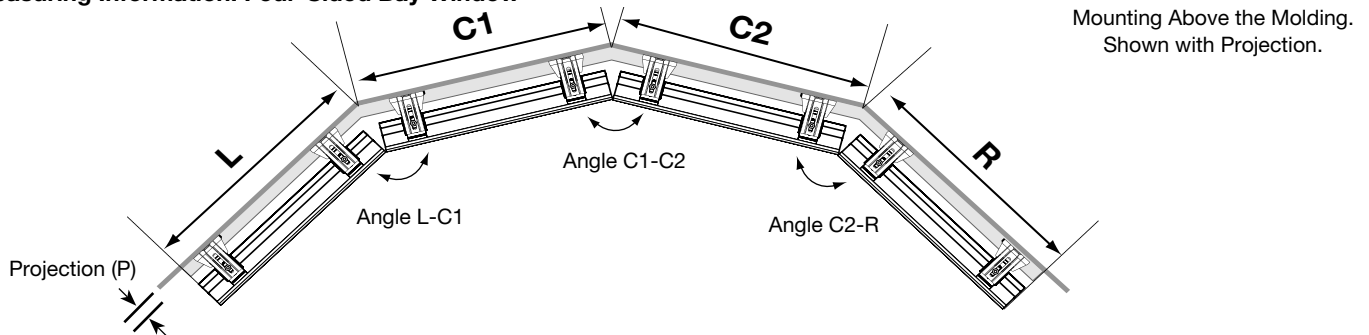
C1: Width of the center window on the mounting surface from corner to corner.

Angle L-C1: Angle between the (L) and (C1) windows.

Angle C1-R: Angle between the (C1) and (R) windows.

Projection: If needed: The depth of the trim or molding the shade will be mounted above.

Measuring Information: Four-Sided Bay Window



L and R: Width of each side window from the corners on the mounting surface to the point you would like to cover.

C1, C2: Width of each center window on the mounting surface from corner to corner.

Angle L-C1: Angle between the (L) and (C1) windows.

Angle C1-C2: Angle between the (C1) and (C2) windows.

Angle C2-R: Angle between the (C2) and (R) windows.

Projection: If needed: The depth of the trim or molding the shade will be mounted above.

NOTE: The projection (P) distance is needed to correctly calculate deductions for installations where the shades will use shims or projection brackets to clear trim or molding. All projection distances must match for correct deductions to be calculated.

For additional windows on bays with up to five sides, continue with number progression for center shade sizes (C1, C2, C3, ...) and angles (angle C1-C2, angle C2-C3, ...) as needed.

Measure each bay angle using a protractor, or angle finder, or use two business cards in each bay corner as illustrated above and fax to customer service.

The angle to use between adjacent center bay windows along a straight section of wall is 180 degrees.

General Information

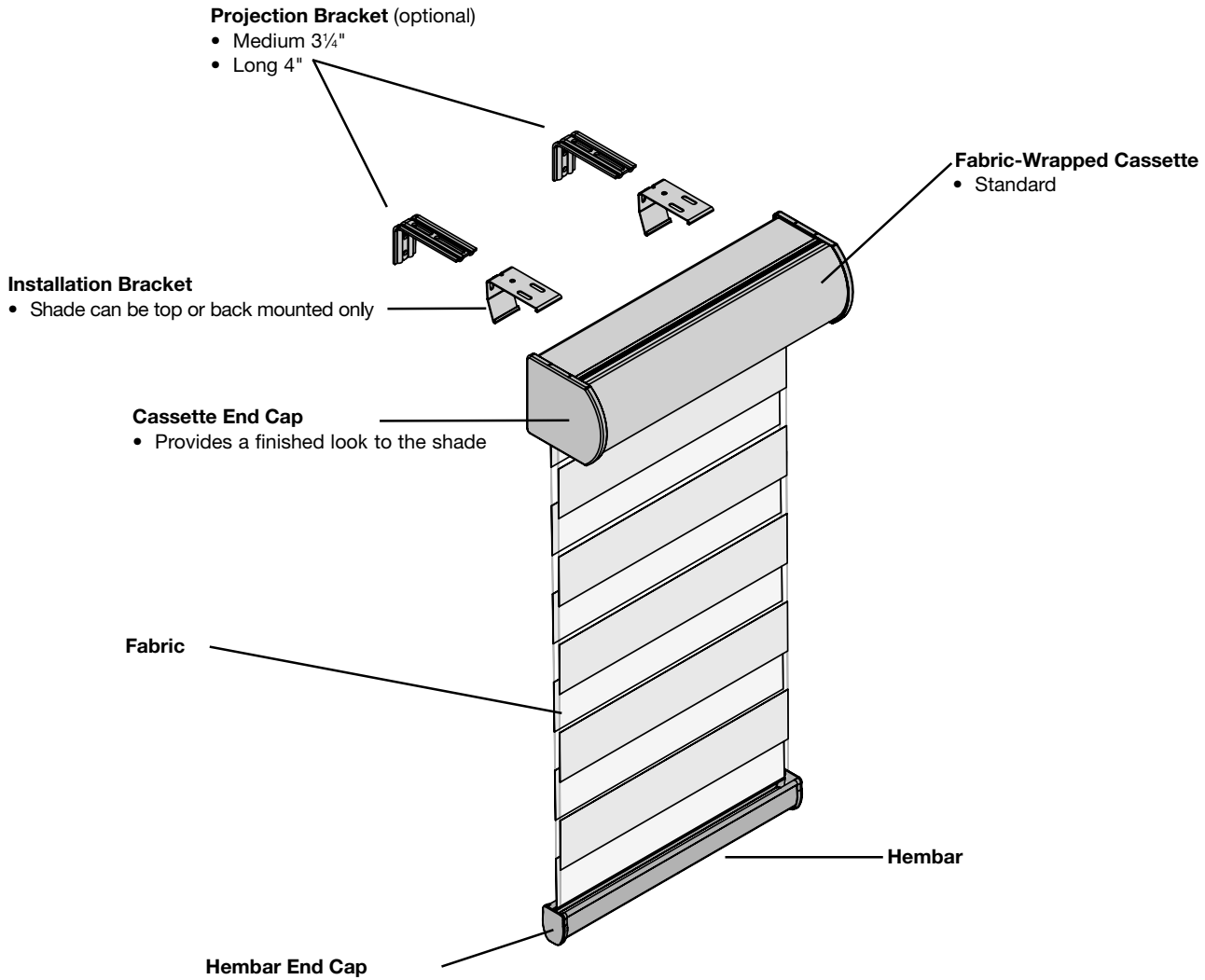
Shade Operation

Light is controlled with layers of fabric alternating between sheer and semi-opaque or opaque horizontal fabric stripes.

Open View

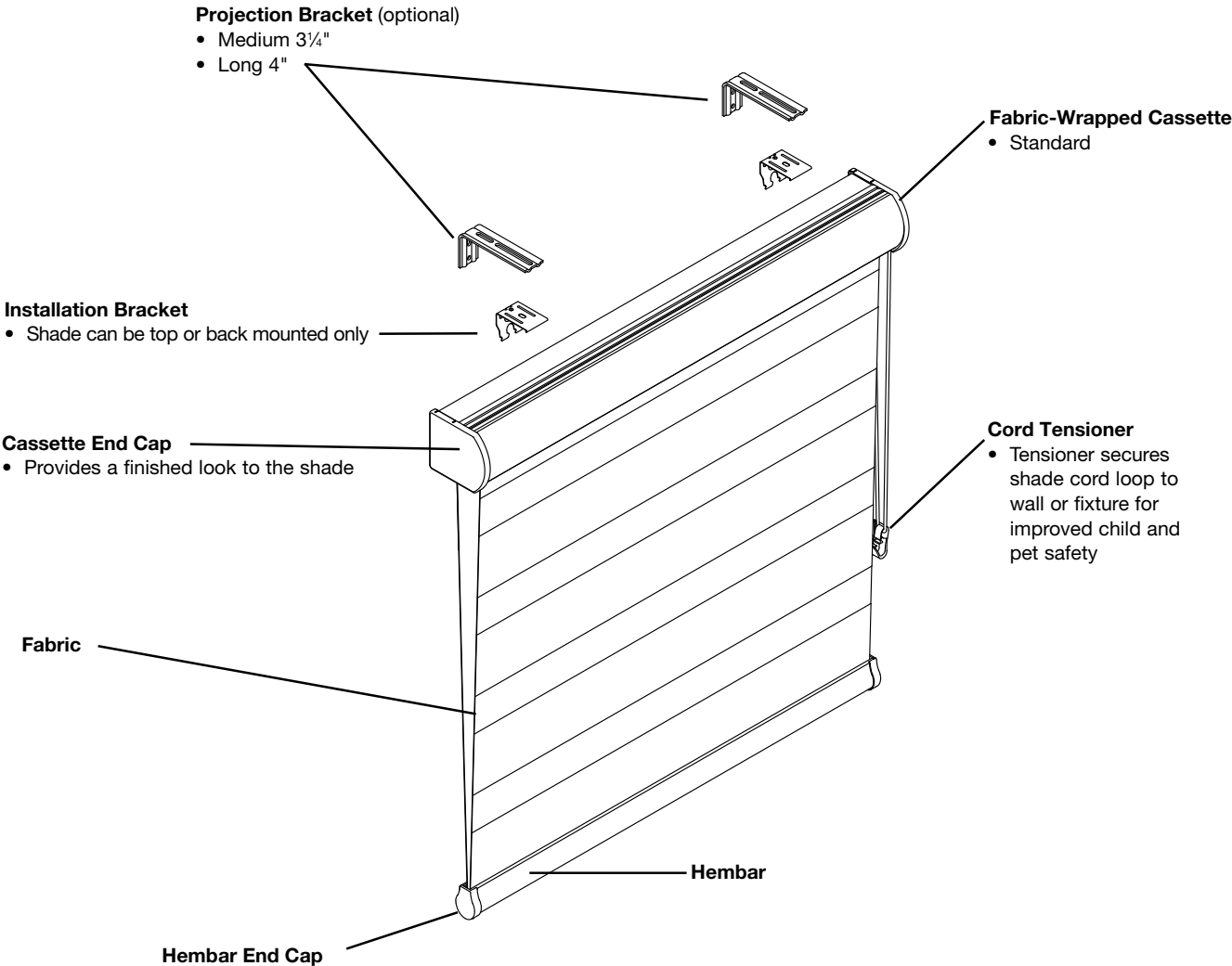
Align the opaque stripes to filter light and provide a view to the outside.

EasyTouch Cordless Lift Product Detail



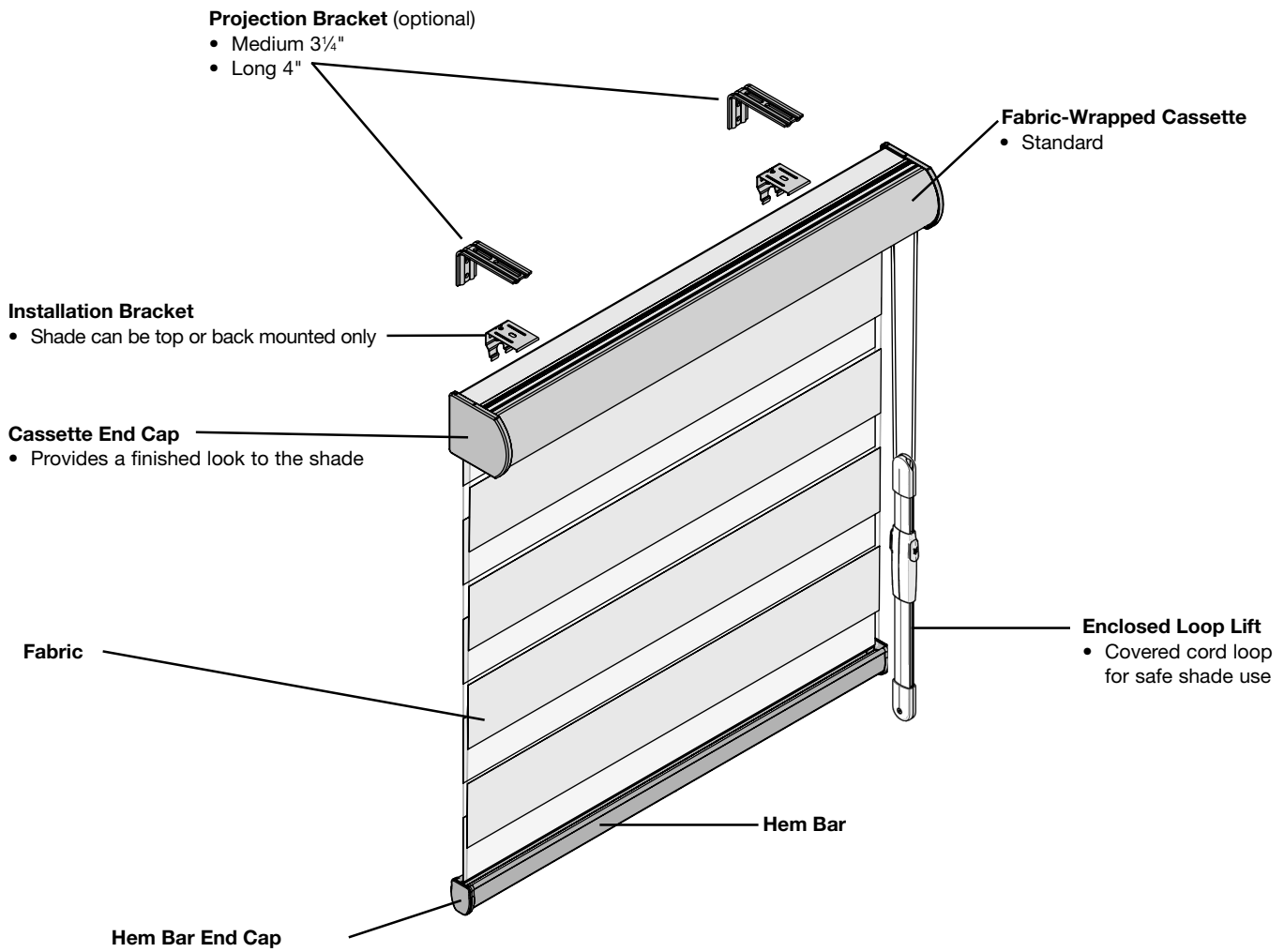
General Information

Continuous Cord Loop Lift Product Detail (U.S. ONLY)



General Information

Enclosed Loop Lift Product Detail (Canada ONLY)



General Information

Color Coordination Charts

Default color coordination is listed below. If desired, color coordination can be selected at the time of order.

Style Name	Color Name	Hembar Color	Continuous Loop Lift
Aloft	Blizzard	White Satin	Bamboo
	Skyline	Classic Gray	Smokey Gray
	White Sand	Cream	Bamboo
Aloft Sparkle	Quicksilver	White Satin	Bamboo
Ashen	Almond Bark	Cream	Bamboo
	Brushed Pewter	Classic Gray	Smokey Gray
	Dreamy Mist	Black Satin	Pitch Black
	Whitetail	White Satin	Bamboo
Bay Breeze	Fresh Air	Sand	Tuscany
	Papaya	Sand	Tuscany
	Salty Breeze	Sand	Tuscany
Beachcomber	Dark Gray	Classic Gray	Smokey Gray
	Foggy Morning	Classic Gray	Smokey Gray
	Ivory Shell	Classic Gray	Smokey Gray
Braided	Cloud Nine	Classic Gray	Smokey Gray
	Ice White	White Satin	Bamboo
	Quiet Gray	Classic Gray	Smokey Gray
	Restful Tan	Classic Gray	Smokey Gray
	Warm Ivory	Cream	Bamboo
Breezy	Bay Blue	Black Satin	Pitch Black
	Hushed Gray	Classic Gray	Smokey Gray
	Salted Toffee	Classic Gray	Smokey Gray
	Soft Beige	Cream	Bamboo
	Wind Chime	Classic Gray	Smokey Gray
Coastal Beach	Coconut Wave	Cream	Bamboo
	Crushed Sand	Cream	Bamboo
	Sage	Cream	Bamboo
	Tidal Waves	Classic Gray	Smokey Gray
Grenada	Ashwood	Black Satin	Pitch Black
	Espresso	Black Satin	Pitch Black
	Linen	White Satin	Bamboo
Idyllic	Fresh White	White Satin	Bamboo
	Soft Silver	White Satin	Bamboo
	Rich Brown	Coffee	Cocoa
Island Waves	Inkwell	Black Satin	Pitch Black
	Ivory Ice	Cream	Bamboo
	Simply White	White Satin	Bamboo
Martingale	Mixed Metals	White Satin	Bamboo
	Snowflake	White Satin	Bamboo
Relaxed Seas	Barnacle Gray	White Satin	Bamboo
	Seashell	Cream	Bamboo
	True White	Cream	Bamboo
Restful Linen	Crisp Khaki	Classic Gray	Smokey Gray
	Dove Gray	Classic Gray	Smokey Gray
	Powder Gray	Classic Gray	Smokey Gray
	Soft White	Cream	Bamboo

General Information

Color Coordination Charts

Default color coordination is listed below. If desired, color coordination can be selected at the time of order.

Style Name	Color Name	Hembar Color	Continuous-Loop Lift
Salty Air	Light Mist	Classic Gray	Smokey Gray
	Shoreline	Classic Gray	Smokey Gray
	Water Lily	Cream	Bamboo
Sandy Isles	Gray Dawn	Classic Gray	Smokey Gray
	Mineral Gray	Classic Gray	Smokey Gray
	Washed Shell	Cream	Bamboo
	White Beach	Cream	Bamboo
Seaport	Marine Blue	Black Satin	Pitch Black
	Onyx	Black Satin	Pitch Black
	Treasure Chest	Black Satin	Pitch Black
Seashore	Cocoa	Black Satin	Pitch Black
	Granite	Black Satin	Pitch Black
	Moss	Black Satin	Pitch Black
Sponson	Bright White	White Satin	Bamboo
	Doily	White Satin	Bamboo
Sunbaked Ember	Dolphin	Black Satin	Pitch Black
	Evening Gray	Black Satin	Pitch Black
	Mushroom	Coffee	Cocoa
	Sunlit Stone	Black Satin	Pitch Black
Trimaran	Apollo	Classic Gray	Smokey Gray
	Doily	White Satin	Bamboo
	Nickel	Classic Gray	Smokey Gray
	Penny	Coffee	Cocoa
Washed Sands	Hazy Lilac	Cream	Bamboo
	Himalayan Salt	Cream	Bamboo
	Stone	Cream	Bamboo

General Information

Color Coordination Charts

Default color coordination is listed below. If desired, color coordination can be selected at the time of order.

Hem Bar Colors
Black Satin
Classic Gray
Coffee
Cream
Sand
White Satin

Canada ONLY
Enclosed Loop Lift Colors
White
Gray
Cream
*Consumer choice

Canada ONLY
Enclosed Loop Lift Lengths (inches)
18
24
36
48
60
72
84

Cord Tensioner Colors (U.S. Only)
White
Cream
Clear

Control Lengths for Enclosed Loop	
Finished Blind Height (inches)	Enclosed Loop Cover Length (inches)
36	18
48	24
60	36
72	48
84	60
96	72
108≥	84

NOTE: Certain components are only available in limited colors. Tensioner color must be selected for Continuous-Loop Lift.

NOTE: Enclosed Loop length in relation to the final shade length will vary between +/- 3 to 6 in. based on size of shade.

Covered-Continuous-Loop Colors
White
Cream
Gray
*Consumer Choice

Continuous-Loop Lift Lengths (inches)
18
24
36
48
60
72
84



Bali is a brand of Springs Window Fashions, the Best Experience Company
Bali and the Bali logo are registered trademarks of Springs Window Fashions, LLC.