

# SHEER SHADES

## Product Information Guide

### Features

Sheer Shades, Features and Benefits . . . . .	2
Fabric Styles and Information, Fabric Certifications . . . . .	3 – 4
Light Control and Privacy, Fabric Recommendations, Light Gap, Fabric Disclaimers, Cleaning and Care Information . . . . .	5

### Size Considerations

All Lifts Mounting Depth Illustrations . . . . .	6
Minimum / Maximum Shade Sizes . . . . .	7
Continuous-Loop & Enclosed Loop Lift Maximum Shade Size . . . . .	8 – 10
Cordless Lift Max Lift Maximum Shade Size . . . . .	11

### Options

Summary, Projection Brackets . . . . .	12
Continuous and Enclosed Loop Lift Control . . . . .	13
Cordless & Motorized Lift Control . . . . .	14
Corner Windows, Adjacent Shadings . . . . .	15
Bay Windows . . . . .	16
Continuous- & Enclosed Loop Lift Operation . . . . .	17
Cordless Lift Operation, All Lift Systems Operation . . . . .	18

### General Information

Continuous-Loop Lift Product Detail . . . . .	19
Enclosed Loop Lift Product Detail . . . . .	20
Cordless Lift Product Detail . . . . .	21
Color Coordination Charts . . . . .	22 – 23

#### PLEASE NOTE:

Photos and illustrations are for inspiration only.  
Not all product configurations are available in all countries.

Window blind cords are a strangulation hazard for young children. Consult your dealer or store associate for cordless products, or products with inaccessible cords. Remove this product immediately if a cord longer than 22 cm, or a loop exceeding 44 cm, becomes accessible.

#### VEUILLEZ NOTER :

Les photos et les illustrations ne sont offertes qu'à titre d'inspiration. Toutes les configurations de produits ne sont pas disponibles dans tous les pays.

Les cordons pour store de fenêtre représentent un risque d'étranglement pour les jeunes enfants. Consultez votre dépositaire ou un associé de magasin pour des produits sans cordon ou des produits dont les cordons ne sont pas accessibles.

Retirez ce produit immédiatement si un cordon mesurant plus de 22 cm de longueur ou une boucle dépassant 44 cm deviennent accessibles.



MARCH 2024

(03/24) 23-516454

# Features

## Sheer Shades

- Two layers of fabric encase lightweight fabric vanes for effortless light control
- The sheer softens incoming light and helps filter out sun while providing an outside view
- The light filtering option allows soft light to flow through while providing privacy
- Smaller vanes are often better for smaller-sized windows while larger vanes work best for larger windows and have the added advantage of providing more view-through

Features	Benefits
Continuous-Loop Lift (U.S. ONLY)	<ul style="list-style-type: none"> <li>• Cord and clutch system makes raising and lowering shade easy</li> <li>• Cord remains at same length, regardless of shade position</li> <li>• Choose left or right cord location</li> <li>• Color coordinated cords</li> <li>• Choose from five colors of bottomrail                             <ul style="list-style-type: none"> <li>• Bottomrail color selected is also used for cassette end caps and cord guide</li> </ul> </li> </ul>
Enclosed Loop Lift (Canada ONLY)	<ul style="list-style-type: none"> <li>• Set and secure shade in any position</li> <li>• Choose left or right lift location</li> <li>• Three loop cover options to coordinate with your desired style</li> <li>• Choose from five colors of hem bar                             <ul style="list-style-type: none"> <li>• Bottomrail color selected is also used for cassette end caps</li> </ul> </li> </ul>
Cordless Lift	<ul style="list-style-type: none"> <li>• Smooth operation for ideal placement with less pull force</li> <li>• Sleek, aesthetic handle for ease of use</li> <li>• Eliminates cords for safety</li> <li>• Five color coordinating bottomrail and end cap options</li> </ul>
Motorized Lift	<ul style="list-style-type: none"> <li>• Window treatments can be operated from virtually anywhere in the home</li> <li>• Easily operate hard-to-reach or large window coverings</li> <li>• Operate multiple window treatments simultaneously or individually</li> </ul>
Fabric-Wrapped Cassette	<ul style="list-style-type: none"> <li>• Fabric-wrapped cassette (standard) creates a cohesive appearance in the window</li> <li>• Now comes in 3 sizes to enable you to have shades for your desired sized windows. Sizes are: Small – 2.5" (Continuous Loop, Enclosed Loop Lift and Motorization Only), Medium – 3", and Large – 4" (Cordless Only)</li> </ul>

# Features

## Fabric Styles and Information

Style Name	Color Name	Opacity/Privacy/Light Control	Fabric Composition	Oeko-Tex® Certified	Fire Retardant Rated
Contemporary 2"	Angelhair	Light filtering	100% polyester	●	●
	Radiant Moon				●
	Quicksilver				No
Diamond Radiance 2"	Fresh White	Light filtering	100% polyester	●	●
	Mixed Metals				●
	Soft Silver				No
Diamond Radiance 3"	Twilight Dream	Room darkening			No
	Twilight Moon	Light filtering			
Glimmer 2"	Ashwood	Light filtering	100% polyester	●	●
Grafton 2" Grafton 3"	Cherry Blossom	Light filtering	100% polyester	●	●
	Chalk				
	Camel				
	Fresh Lily				
	Parchment				
	Starstruck				
	Urban Gray				
	Warm Gray				
Grafton Glitter 2" Grafton Glitter 3"	Glam	Light filtering	100% polyester	●	No
	Marquee				
	Showstopper				
	Silver Screen				
Grafton Weave 2" Grafton Weave 3"	Rattan	Light filtering	100% polyester	●	●
	Rustic				
	Silver Pearl				
	Waving Wheat				
Grand Illusion 2"	Essential White	Light filtering	100% polyester	●	●
	Moonbeam				
	Skyline				
Hurricane 2"	Confetti	Light filtering	100% polyester	●	●
Lattice 2"	Modern Ivory	Light filtering	100% polyester	●	●
	Slate				
Raina 3"	Creamy Tan	Room darkening	100% polyester	●	●
	Fresh Snow				
	Hot Cocoa				
	Natural White				
	Silver Cloud				
	Walnut Shell				
Rooted Earth 2"	Porpoise	Light filtering	100% polyester	No	No
	Soft Sand				
	Summer Gray				

# Features

## Fabric Styles and Information

Style Name	Color Name	Opacity/Privacy/Light Control	Fabric Composition	Oeko-Tex® Certified	Fire Retardant Rated
Soft Glow 2"	Dawn Gray Indigo Lilac Sage Silver Sky	Room darkening	100% polyester	No	No
Tisbury 1"	Cherry Blossom Urban Gray	Light filtering	100% polyester	•	•
Westford 2" Westford 2¾"	Cherry Blossom Vanilla Crème	Light filtering	100% polyester	•	•
Woven Grids 2" Woven Grids 3"	Twilight Chic Twilight Glow	Light filtering	100% polyester	•	• No

## Fabric Certifications

Oeko-Tex® Standard 100 certifies that our fabrics are free of PVC, halogen, lead, formaldehyde, allergenic dyes, pesticides, phenols, heavy metals, and meet all VOC content limits.

[oeko-tex.com](http://oeko-tex.com)

Oeko-Tex is a registered trademark of the Oeko-Tex Association.



# Features

## Light Control and Privacy

**Light Filtering\*:** Allows light to gently filter through and provides privacy. Images and shapes may be seen through these shades, but details are not visible. Deep fabric colors provide moderate light control, while light colors provide lower light control. **Privacy level:** moderate

**Room Darkening:** Allows some light to filter into the room and provides privacy. Objects in a lit room seen through these shades appear as vague shapes. Deep fabric colors darken a room; light colors filter and diffuse bright sunlight.

**Privacy level:** complete

**Light Gaps:** For optimal light, outside mount is recommended, or you may add a secondary soft window treatment (drapery or curtain) to hide the light gap on an inside mount.

**Privacy level:** moderate

\*These fabrics are translucent and their colors may be influenced by changing light conditions. Colors may appear to vary depending upon the time of day and type of lighting, as well as whether the shade is partially or fully open.

## Fabric Recommendations

Order all shades for the same room at the same time to ensure color consistency and to minimize dye lot variation. For side-by-side sheer shades, request vane alignment. Requests can be made through customer service at the time of order. Vanes can be aligned to within 1/4".

**NOTE:** Shades must be ordered at the same time with the same fabric style and height. Cordless shades for the same room may have differing raising and lowering speeds.

## Light Gap

The fabric width is narrower than the finished shade width of the tube and its components. See chart below for light gap.

Control Type	Control End	Idle End
	Inside Mount (inches)	Inside Mount (inches)
Continuous-Loop Lift (U.S. ONLY)	15/16	11/16
Enclosed Loop Lift (Canada ONLY)	15/16	11/16
Cordless Lift	5/8	5/8
Motorized Lift	1 1/16	3/4



Inside Mount Light Gap

## Fabric Disclaimers

Due to the nature of the weaving process, some imperfections in the weave are normal. Fabric appearance can vary based on changing light conditions in the room.

Due to the construction and functionality of sheer shades, the front and back sheer fabric will not form a perfect seal against light leakage.

As with all textiles, the fabric is subject to some variations. Slight wrinkling, puckering, or bowing is inherent to this textile product and should be considered normal, acceptable quality.

## Cleaning and Care Information

Regular light dusting with a feather duster, vacuum with low suction, or a hair dryer on a cool temperature.

Professional blind cleaners use a variety of methods to clean blinds and vary in their capabilities. While Springs Window Fashions, LLC knows that many of our window treatments can be safely cleaned using the appropriate ultrasonic or injection/extraction cleaning methods, we cannot guarantee the outcome of any cleaning services provided by an independent company.

For assistance in locating a certified blind cleaner that serves your area, visit [blindcleaners.net](http://blindcleaners.net) or contact customer service.

# Size Considerations

## Mounting Depth Illustrations

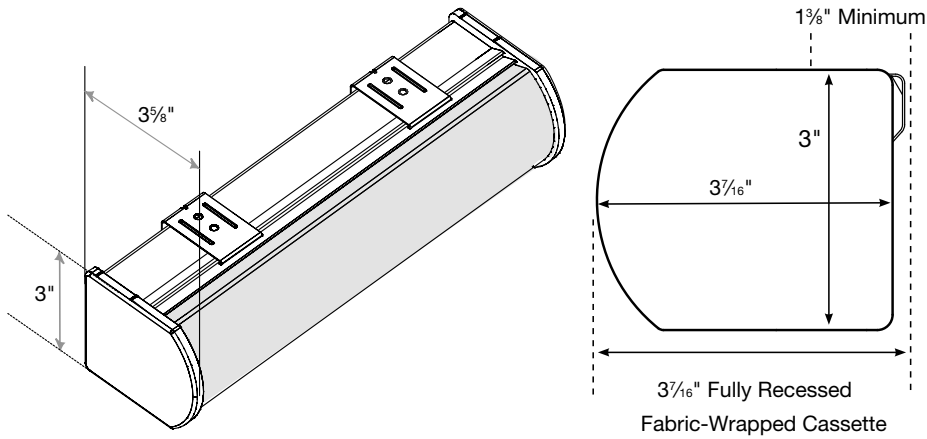
The following diagram illustrates the mounting depth requirements for shades mounted inside window casements.

Continuous Loop, Enclosed Loop, and Motorized Lift include small cassettes

Cordless Lift includes Medium and Large cassettes

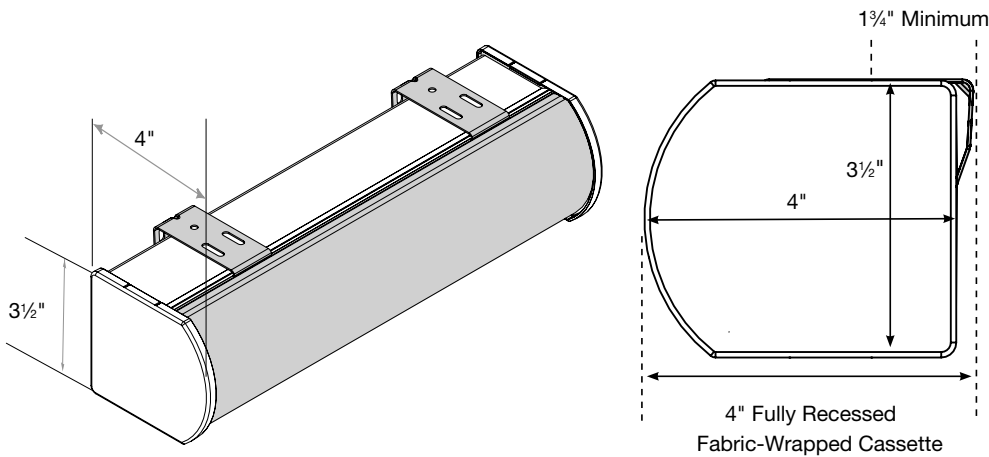
Note: Cassette sizes are determined by lift system and specific fabric requirements

### Small Cassette Small Cassette (Continuous Loop, Enclosed Loop, and Motorized Lift Only)



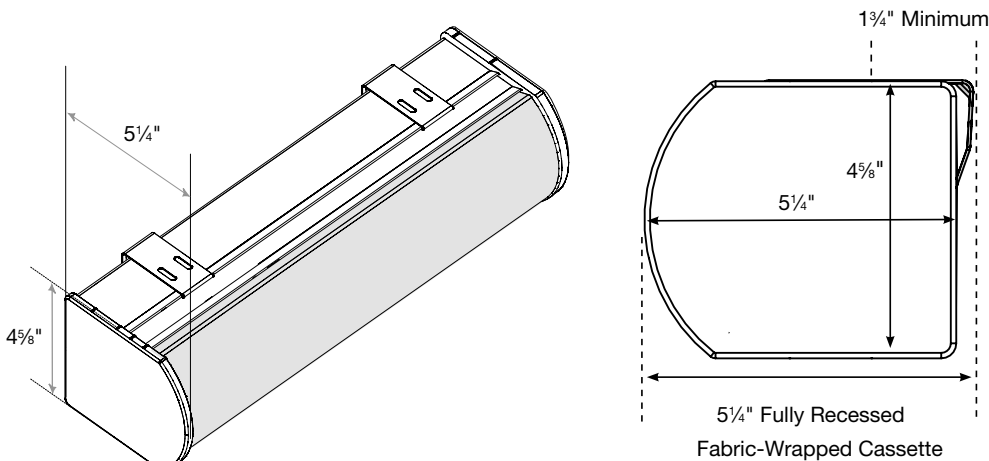
Minimum Mounting Depth	1 3/8"
Flush Mount Depth	3 7/16"

### Medium Cassette (Cordless Only)



Minimum Mounting Depth	1 1/4"
Flush Mount Depth	4"

### Large Cassette (Cordless Only)



Minimum Mounting Depth	1 3/4"
Flush Mount Depth	5 1/4"

# Size Considerations

## Minimum / Maximum Shade Sizes

Minimum width: 12" all control types

Minimum height: 12" all control types

See size grids for full details

	Continuous & Enclosed Loop Lift				Cordless Lift			
	Width		Height		Width		Height	
	Min* (inches)	Max (inches)	Min (inches)	Max (inches)	Min* (inches)	Max (inches)	Min (inches)	Max (inches)
Contemporary 2"	12	96	12	105	12	102	12	110
Diamond Radiance 2"	12	96	12	105	12	102	12	110
Diamond Radiance 3"	12	96	12	65	12	102	12	110
Glimmer 2"	12	96	12	105	12	102	12	110
Grafton 2" / Grafton 3"	12	96	12	105	12	102	12	110
Grafton Glitter 2" / Grafton Glitter 3"	12	98	12	110	12	102	12	110
Grafton Weave 2" / Grafton Weave 3"	12	96	12	110	12	102	12	110
Grand Illusion 2"	12	96	12	105	12	102	12	110
Hurricane 2"	12	96	12	105	12	102	12	110
Lattice 2"	12	96	12	105	12	102	12	110
Raina 3"	12	96	12	65	12	102	12	110
Rooted Earth 2"	12	79	12	110	12	102	12	110
Soft Glow 2"	12	71	12	85	12	102	12	110
Tisbury 1"	12	94	12	75	12	102	12	110
Westford 2" / Westford 2 3/4"	12	94	12	98	12	102	12	110
Woven Grids 2" / Woven Grids 3" * 5331 max height 65	12	96	12	110	12	102	12	110

**NOTE:** Size availability is based on fabric. See size considerations grids for specific maximum shade sizes.

# Size Considerations

## Continuous-Loop & Enclosed Loop Lift Maximum Shade Size

**NOTE:** Shaded areas are available for order.

Minimum width: 12"

Minimum height: 12"

For sizes within the next size break, please reach out to customer service or enter order into ordering system to confirm if size is available to order.

**Fabric: Contemporary 2" 5295, 5299**

up to (in.)	Width up to (in.)													
	24	30	36	42	48	54	60	66	72	78	84	90	96	102
24														
30														
36														
42														
48														
54														
60														
66														
72														
78														
84														
90														
96														
102														
108														
110														

**Fabric: Contemporary 2" 5296**

up to (in.)	Width up to (in.)													
	24	30	36	42	48	54	60	66	72	78	84	90	96	102
24														
30														
36														
42														
48														
54														
60														
66														
72														
78														
84														
90														
96														
102														
108														
110														

**Fabric: Diamond Radiance 2" (5263)**

up to (in.)	Width up to (in.)													
	24	30	36	42	48	54	60	66	72	78	84	90	96	102
24														
30														
36														
42														
48														
54														
60														
66														
72														
78														
84														
90														
96														
102														
108														
110														

**Fabric: Diamond Radiance 2" (5264)**

up to (in.)	Width up to (in.)													
	24	30	36	42	48	54	60	66	72	78	84	90	96	102
24														
30														
36														
42														
48														
54														
60														
66														
72														
78														
84														
90														
96														
102														
108														
110														

**Fabric: Diamond Radiance 2" (5265)**

up to (in.)	Width up to (in.)													
	24	30	36	42	48	54	60	66	72	78	84	90	96	102
24														
30														
36														
42														
48														
54														
60														
66														
72														
78														
84														
90														
96														
102														
108														
110														

**Fabric: Diamond Radiance 3"**

up to (in.)	Width up to (in.)													
	24	30	36	42	48	54	60	66	72	79	86	90	96	102
24														
30														
36														
42														
48														
54														
60														
66														
72														
78														
84														
90														
96														
102														
108														
110														

**Fabric: Glimmer 2"**

up to (in.)	Width up to (in.)													
	24	30	36	42	48	54	60	66	72	78	84	90	96	102
24														
30														
36														
42														
48														
54														
60														
66														
72														
78														
84														
90														
96														
102														
108														
110														

**Fabric: Grafton 2" & 3"**

up to (in.)	Width up to (in.)													
	24	30	36	42	48	54	60	66	72	78	84	90	96	102
24														
30														
36														
42														
48														
54														
60														
66														
72														
78														
84														
90														
96														
102														
108														
110														



# Size Considerations

## Continuous-Loop & Enclosed Loop Lift Maximum Shade Size

**NOTE:** Shaded areas are available for order.

Minimum width: 12"

Minimum height: 12"

For sizes within the next size break, please reach out to customer service or enter order into ordering system to confirm if size is available to order.

**Fabric: Grafton Glitter 2" and 3"**

Length up to (ft.)	Width up to (in.)													
	24	30	36	42	48	54	60	66	72	78	84	90	98	102
24														
30														
36														
42														
48														
54														
60														
66														
72														
78														
84														
90														
96														
102														
108														
110														

**Fabric: Grafton Weave 2" and 3"**

Length up to (ft.)	Width up to (in.)													
	24	30	36	42	48	54	60	66	72	78	84	90	96	102
24														
30														
36														
42														
48														
54														
60														
66														
72														
78														
84														
90														
96														
102														
108														
110														

**Fabric: Grand Illusion 2"**

Length up to (ft.)	Width up to (in.)													
	24	30	36	42	48	54	60	66	72	78	84	90	96	102
24														
30														
36														
42														
48														
54														
60														
66														
72														
78														
84														
90														
96														
102														
108														
110														

**Fabric: Hurricane 2"**

Length up to (ft.)	Width up to (in.)													
	24	30	36	42	48	54	60	66	72	79	86	90	96	102
24														
30														
36														
42														
48														
54														
60														
66														
72														
78														
84														
90														
96														
102														
108														
110														

**Fabric: Lattice 2" & 3"**

Length up to (ft.)	Width up to (in.)													
	24	30	36	42	48	54	60	66	72	78	84	90	96	102
24														
30														
36														
42														
48														
54														
60														
66														
72														
78														
84														
90														
96														
102														
108														
110														

**Fabric: Raina 3"**

Length up to (ft.)	Width up to (in.)													
	24	30	36	42	48	54	60	66	72	78	84	90	96	102
24														
30														
36														
42														
48														
54														
60														
66														
72														
78														
84														
90														
96														
102														
108														
110														

**Fabric: Rooted Earth 2"**

Length up to (ft.)	Width up to (in.)													
	24	30	36	42	48	54	60	66	72	78	84	90	96	102
24														
30														
36														
42														
48														
54														
60														
66														
72														
78														
84														
90														
96														
102														
108														
110														

**Fabric: Soft Glow 2"**

Length up to (ft.)	Width up to (in.)													
	24	30	36	42	48	54	60	66	72	78	84	90	96	102
24														
30														
36														
42														
48														
54														
60														
66														
72														
78														
84														
90														
96														
102														
108														
110														

# Size Considerations

## Continuous-Loop & Enclosed Loop Lift Maximum Shade Size

**NOTE:** Shaded areas are available for order.

Minimum width: 12"

Minimum height: 12"

For sizes within the next size break, please reach out to customer service or enter order into ordering system to confirm if size is available to order.

**Fabric: Tisbury 1"**

Height up to (in.)	Width up to (in.)													
	24	30	36	42	48	54	60	66	72	78	84	94	96	102
24														
30														
36														
42														
48														
54														
60														
66														
72														
78														
84														
90														
96														
102														
108														
110														

**Fabric: Westford 2" & 2 3/4"**

Height up to (in.)	Width up to (in.)													
	24	30	36	42	48	54	60	66	72	78	84	94	96	102
24														
30														
36														
42														
48														
54														
60														
66														
72														
78														
84														
90														
96														
102														
108														
110														

**Fabric: Woven Grids 2"**

Height up to (in.)	Width up to (in.)													
	24	30	36	42	48	54	60	66	72	78	84	90	96	102
24														
30														
36														
42														
48														
54														
60														
66														
72														
78														
84														
90														
96														
102														
108														
110														

**Fabric: Woven Grids 3"**

Height up to (in.)	Width up to (in.)													
	24	30	36	42	48	54	60	66	72	79	86	90	96	102
24														
30														
36														
42														
48														
54														
60														
66														
72														
78														
84														
90														
96														
102														
108														
110														

# Size Considerations

## Cordless Lift Maximum Shade Size

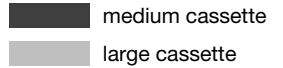
**NOTE:** Shaded areas are available for order. Cordless shade speed may vary by shade size and fabric selected.

Minimum width: 12"

Minimum height: 12"

For sizes within the next size break, please reach out to customer service or enter order into ordering system to confirm if size is available to order.

Only one cassette size option is available based on size of shade due to risk of re-roll if cassette is too large.



**Fabric: Contemporary 2", Diamond Radiance 2", Glimmer 2", Grafton 2", Grafton Glitter 2", Grafton Woven 2", Grafton 3" Glitter, Grafton 3" Woven, Grand Illusion 2", Lattice 2", Hurricane 2", Woven Grids 2"**

Height up to (in.)	Width up to (in.)													
	24	30	36	42	48	54	60	66	72	78	84	90	96	102
24														
30														
36														
42														
48														
54														
60														
66														
72														
78														
84														
90														
96														
102														
110														

**Fabric: Soft Glow 2", Grafton 3"**

Height up to (in.)	Width up to (in.)													
	24	30	36	42	48	54	60	66	72	78	84	90	96	102
24														
30														
36														
42														
48														
54														
60														
66														
72														
78														
84														
90														
96														
102														
110														

**Fabric: Rooted Earth 2"**

Height up to (in.)	Width up to (in.)													
	24	30	36	42	48	54	60	66	72	78	84	90	96	102
24														
30														
36														
42														
48														
54														
60														
66														
72														
78														
84														
90														
96														
102														
110														

**Fabric: Westford 2" and 2 3/4"**

Height up to (in.)	Width up to (in.)													
	24	30	36	42	48	54	60	66	72	78	84	90	96	102
24														
30														
36														
42														
48														
54														
60														
66														
72														
78														
84														
90														
96														
102														
110														

**Fabric: Diamond Radiance 3"**

Height up to (in.)	Width up to (in.)													
	24	30	36	42	48	54	60	66	72	78	84	90	96	102
24														
30														
36														
42														
48														
54														
60														
66														
72														
78														
84														
90														
96														
102														
110														

**Fabric: Woven Grids 3"**

Height up to (in.)	Width up to (in.)													
	24	30	36	42	48	54	60	66	72	78	84	90	96	102
24														
30														
36														
42														
48														
54														
60														
66														
72														
78														
84														
90														
92														
102														
110														

**Fabric: Grafton 3" (6111 6118, 6109), Raina 3"**

Height up to (in.)	Width up to (in.)													
	24	30	36	42	48	54	60	66	72	78	84	90	96	102
24														
30														
36														
42														
48														
54														
60														
66														
72														
78														
84														
90														
92														
102														
110														

**Fabric: Tisbury 1"**

Height up to (in.)	Width up to (in.)													
	24	30	36	42	48	54	60	66	72	78	84	90	96	102
24														
30														
36														
42														
48														
54														
60														
66														
72														
78														
84														
90														
96														
102														
110														

# Options

## Shade Options (for surcharges and pricing refer to price charts)

Below is a list of options for sheer shades. All options are available in all styles and colors. See detailed descriptions on the following pages.

### Control Type Options

- Cordless Lift
- Continuous-Loop Lift (U.S. ONLY)
- Motorized lift (see motorization product information guide)

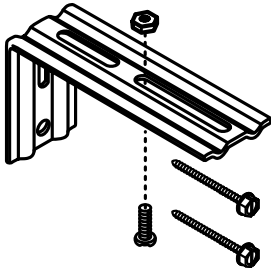
### Shade Options—Surcharge

- Motorization (see motorization product information guide)
- Enclosed Loop Lift (Canada ONLY)
- Palladian window shelf (see cornice, valance, and palladian window shelf product information guide)

### Shade Options—No Charge

- Bottomrail and end cap colors
- Bay and corner windows
- Cord length (must specify different length)
- Cord location
- Projection brackets 3¼" and 4"
  - 3¼" projection brackets add up to 2⅛" extension from wall
  - 4" projection brackets add up to 2⅞" extension from wall

## Projection Brackets



- **No charge**
- Available with Covered Continuous-Loop Lift and motorized lift
- Two sizes: 3¼" and 4"
- 3¼" projection brackets add up to 2⅛" extension from wall
- 4" projection brackets add up to 2⅞" extension from wall

# Options

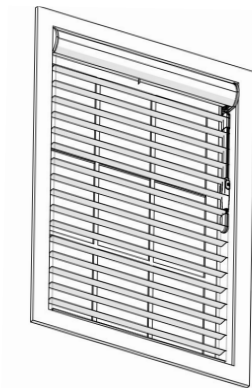
## Continuous-Loop Lift (U.S. ONLY)



- Cord loop and clutch system makes raising and lowering shade easy
- Special cord loop length must be requested at time of order
- Cord remains at same length regardless of shade position
- Color coordinated cord loop and cord guide
- Safety cord guide provides the ability to keep the cord out of the reach of children and pets to enhance safety
- Choose left or right cord location
- Outside mount is recommended for maximum light control
- Tensioner is available in white, cream or clear

**NOTE:** Cord tensioner must be installed to operate shade.

## Enclosed Loop Lift (Canada ONLY)



- Smooth & Simple Operation
- Set and secure shade in any position
- Simply hold button of the direction you wish shade to move on handle, then pull handle down the length of the cord-cover to change shade position
- Elegant, appearance without long, dangling cords
- Increased safety for children and pets
- Health Canada compliant
- Available in a full range of sizes for any window: 18, 24, 36, 48, 60, 72, 84 inches
- Cover available in White, Cream and Gray
- Outside mount is recommended for maximum light control

**NOTE:** Enclosed Loop Lift must be installed to operate shade

# Options

## Cordless Lift



- Requires less pull force for smooth operation from ideal placement
- Quiet operation
- Sleek, aesthetic handle for ease of use
- Precise placement with less bounce back
- Choose from five colors of hem bar
  - Bottomrail color selected is also used for cassette end caps
- Shade is spring loaded on each end and will self-center when installed
- Outside mount is recommended for maximum light control

## Motorized Lift



- **See motorization product information guide for accessories, additional options, sizing, and pricing**
- Down position will have vanes open
- Allows for easy operation of hard-to-reach or large window coverings
- Efficiently manages energy (heat gain and loss)
- Motorized lift shades are cordless and are a safer choice for homes with children or pets
- Low-voltage motorization requires no costly electrical hardwiring
- Available with multiple power and control options
- Motor located on the left or right side; standard on the right

**NOTE:** Motorization components and accessories have a five-year limited warranty, excluding batteries.



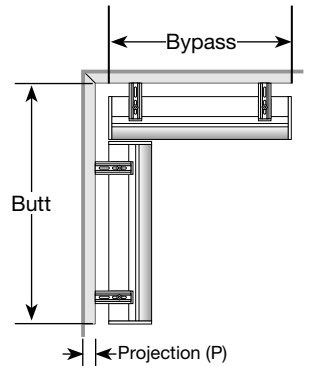
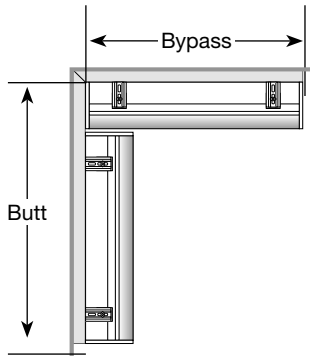
# Options

## Corner Windows



Shades on Corner Windows

- **No charge**
- Made as individual shades
- Each shade will have its own control; we recommend opposite corners
- Indicate for each shade whether butt or bypass
- Bypass shade is mounted into the corner; butt shade is butted to the other shade
- Manufacturer will take appropriate deductions for proper fit; **DO NOT** order as a corner shade if you do not want manufacturer to take deductions



### Measuring Information

#### Mounting on a Wall or Molding:

Measure the width of each window from the corner on the mounting surface (molding or wall) to the point you would like to cover.

#### Mounting Above the Molding:

Measure the width of each window from the corner on the mounting surface to the point you would like to cover.

Projection measurement is the distance needed to clear any molding or obstructions that the shade will be mounted above.

**NOTE:** The projection (P) distance is needed to correctly calculate deductions for installations where the shades will use shims or projection brackets to clear molding. All projection distances must match for correct deductions to be calculated.

## Adjacent Shadings

To cover wide window openings, window shadings may be installed end to end so that the cassette headrails touch. The gap between the fabric panels of the adjacent shading varies by the control placement as shown in the chart.

Control Placement for Adjacent Shades				
Control Placement		Gap		
Left Shade Control	Right Shade Control	Continuous- & Enclosed Loop Lift (inches)	Cordless Lift (inches)	Motorized Lift (inches)
Right	Right	1 $\frac{5}{8}$	1 $\frac{1}{4}$	1 $\frac{11}{16}$
Left	Left	1 $\frac{5}{8}$	1 $\frac{1}{4}$	1 $\frac{11}{16}$
Right	Left	1 $\frac{5}{8}$	1 $\frac{1}{4}$	2
Left	Right	1 $\frac{5}{8}$	1 $\frac{1}{4}$	1 $\frac{5}{8}$

### Side-by-Side Alignment

Vane alignment to within  $\frac{1}{4}$ " is available upon request only for shades ordered at the same time with the same fabric style and height. Add note in special instructions.

# Options

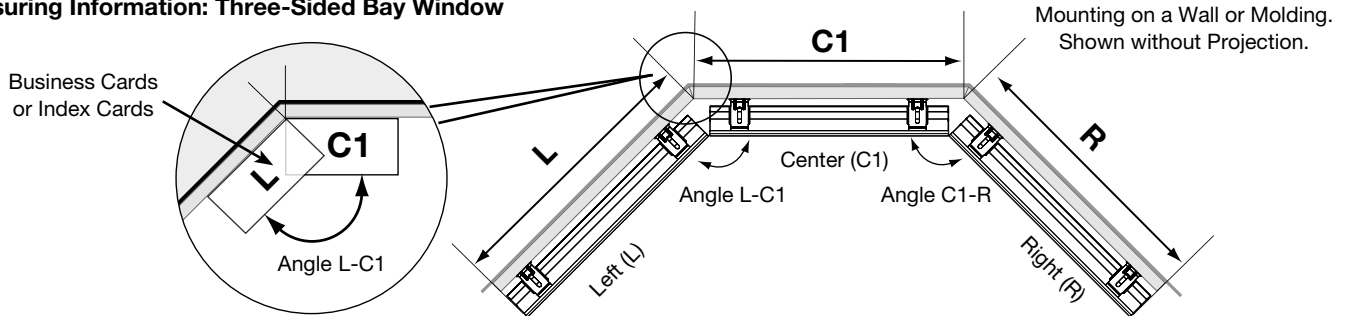
## Bay Windows



Shades on Bay Windows

- **No charge**
- Made as individual shades
- Each section will have its own control
- Manufacturer will take appropriate deductions for proper fit; DO NOT order as a bay window shade if you do not want manufacturer to take deductions

### Measuring Information: Three-Sided Bay Window



**Measure:**

**L and R:** Width of each side window from the corners on the mounting surface to the point you would like to cover.

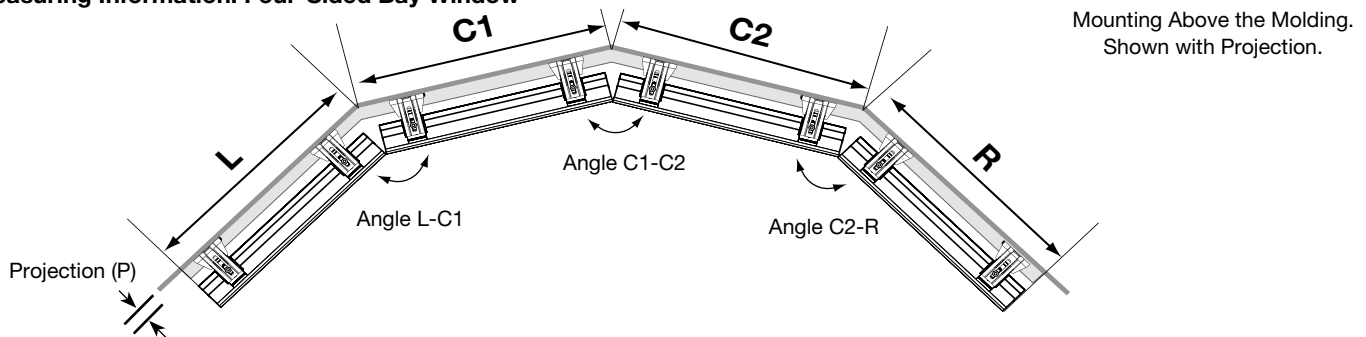
**C1:** Width of the center window on the mounting surface from corner to corner.

**Angle L-C1:** Angle between the (L) and (C1) windows.

**Angle C1-R:** Angle between the (C1) and (R) windows.

**Projection:** If needed: The depth of the trim or molding the shade will be mounted above.

### Measuring Information: Four-Sided Bay Window



**L and R:** Width of each side window from the corners on the mounting surface to the point you would like to cover.

**C1, C2:** Width of each center window on the mounting surface from corner to corner.

**Angle L-C1:** Angle between the (L) and (C1) windows.

**Angle C1-C2:** Angle between the (C1) and (C2) windows.

**Angle C2-R:** Angle between the (C2) and (R) windows.

**Projection:** If needed: The depth of the trim or molding the shade will be mounted above.

**NOTE:** The projection (P) distance is needed to correctly calculate deductions for installations where the shades will use shims or projection brackets to clear trim or molding. All projection distances must match for correct deductions to be calculated.

For additional windows on bays with up to five sides, continue with number progression for center shade sizes (C1, C2, C3, ...) and angles (angle C1-C2, angle C2-C3, ...) as needed.

Measure each bay angle using a protractor, or angle finder, or use two business cards in each bay corner as illustrated above and fax to customer service.

**The angle to use between adjacent center bay windows along a straight section of wall is 180 degrees.**

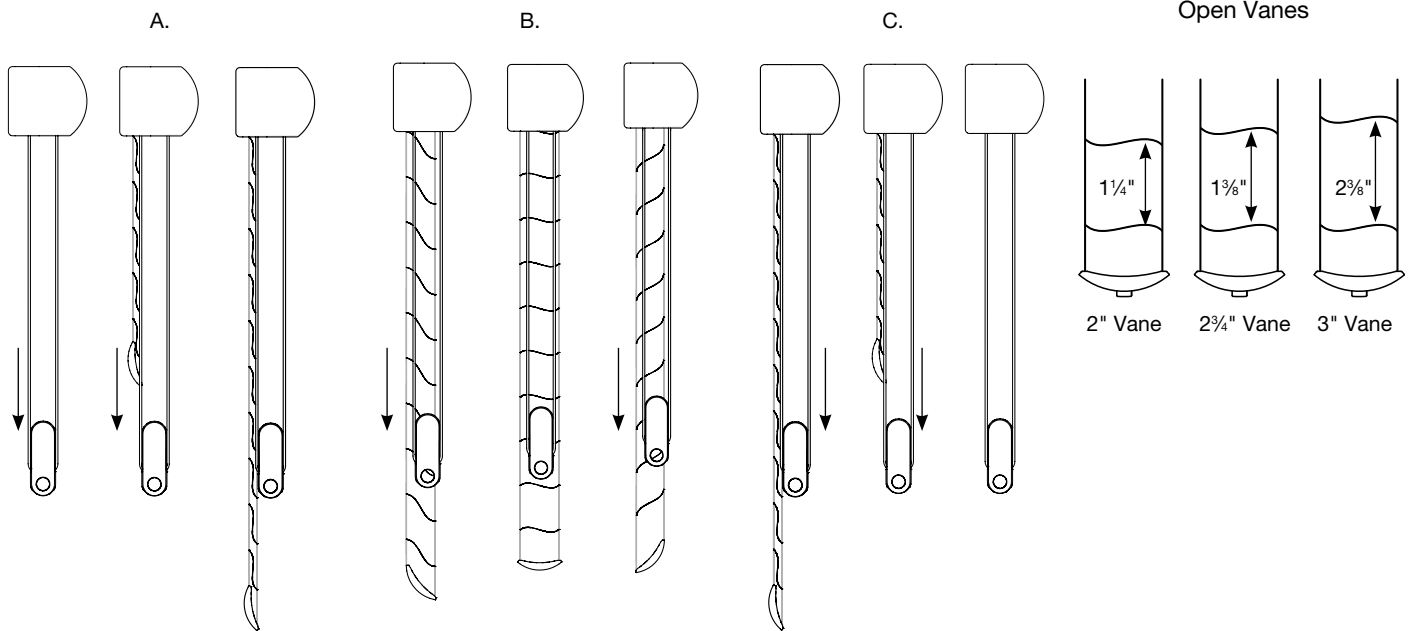


# General Information

## Continuous-Loop Lift

### Shade Operation

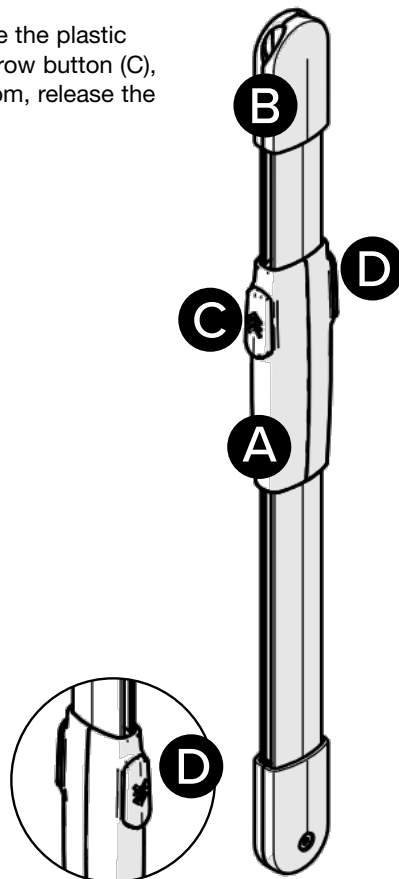
- A. To lower, pull down on the back cord.
- B. Continue to pull on the back cord when fully lowered to open the vanes. Over-rotation will occur if you continue to pull when the vanes are fully opened. The bottomrail will face into the room if over-rotated.
- C. To close, pull the front cord. Continue to pull on the front cord to raise the shade.



## Enclosed Loop Lift

### Shade Operation

- A. To raise your shade using the enclosed loop lift system, move the plastic grip (A) to the top of the loop cover (B). Hold down the up-arrow button (C), while simultaneously pulling the grip down. Once at the bottom, release the button, reset the grip at the top and repeat as necessary.
- B. To lower your shade, hold the down-arrow button (D) and follow the same instructions.
- C. Be sure to only push one button at a time.

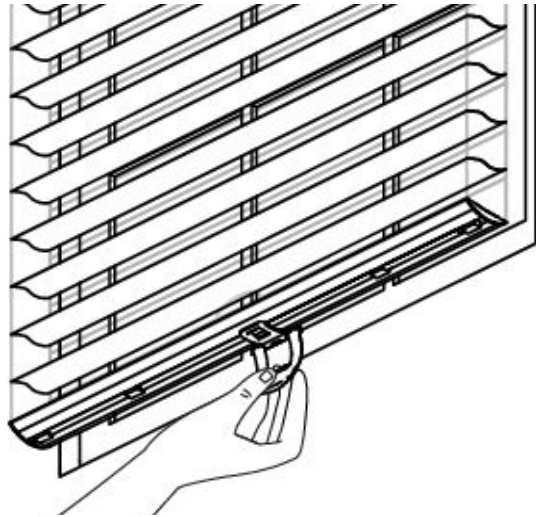


## General Information

### Cordless Lift

#### Shade Operation

- A. To lower your shade, hook fingers under bottom rail to grab handle. Pull down to desired length and release.
- B. To open vanes, grab handle and pull slightly towards you, lowering it until shade is at window sill height. This will cause vanes to open.  
**NOTE:** Vanes cannot be opened until shade is completely down.
- C. To close vanes and raise shades, insure shades are fully extended, then pull down on handle slightly. This will cause shade to go up on its own.



**NOTE:** Be careful not to grab delicate fabric and always pull shade gently to avoid damage.

#### Trouble Shooting:

If shade becomes stuck with open vanes, gently pull the shade down and towards you while holding the handle to reset the lift mechanism.

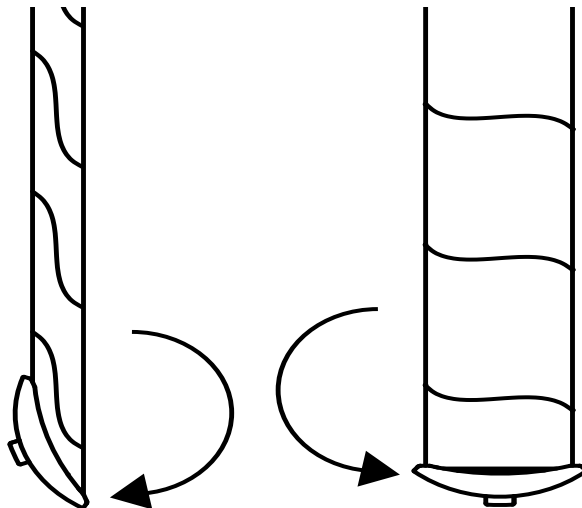
### All Lift Systems

#### Closed Vanes

When closed, the vanes of sheer shades overlap providing privacy. Sheer shades may have light gaps towards the bottom of the shade.

#### Importance of Correct Shade Height

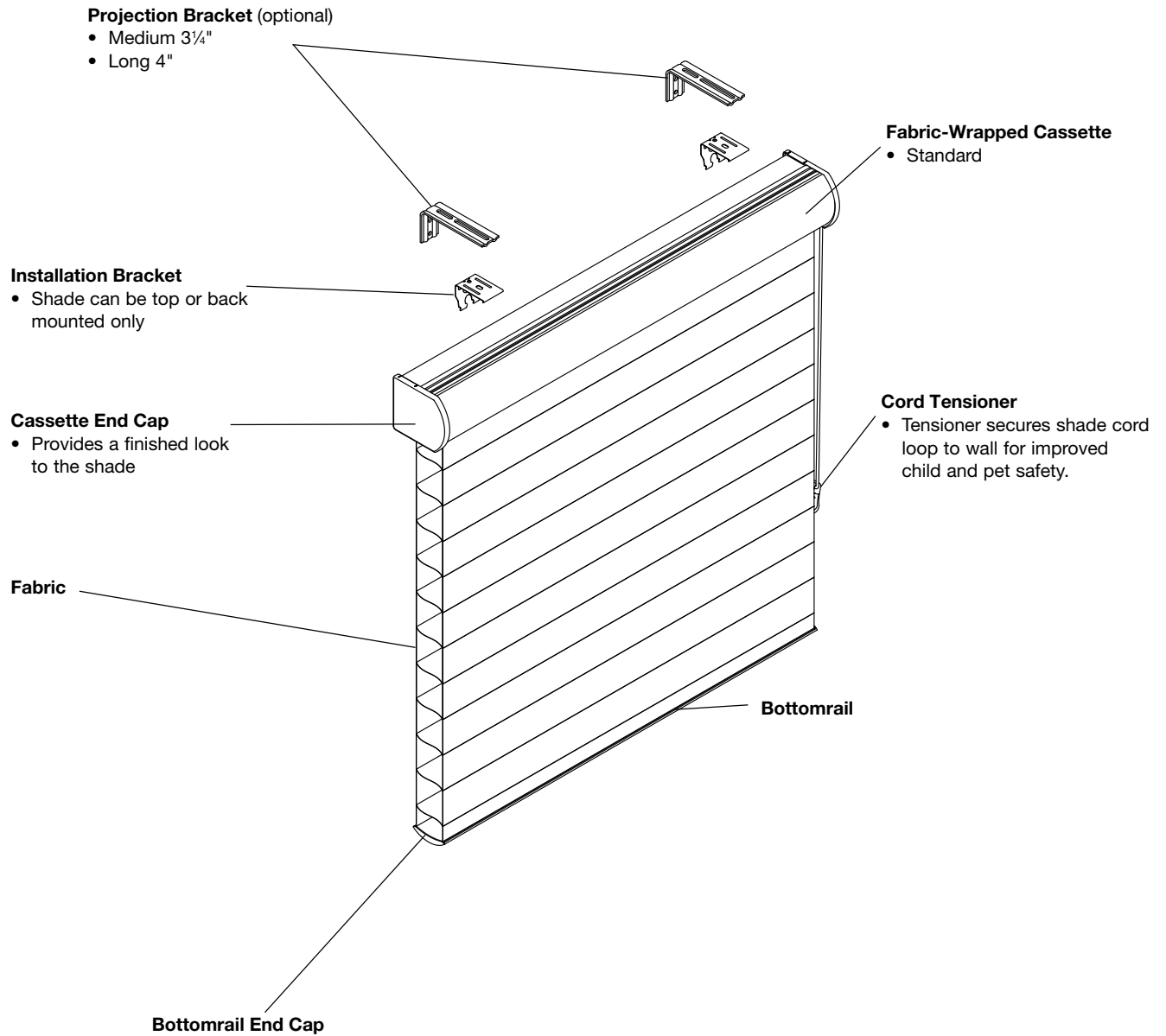
The bottomrail pivots when the vanes are opened and closed as shown below. The proper height measurement is critical in applications where the window shading closes just above a window sill or floor. If the window shading is too long and the bottomrail rests on the sill or floor when it is fully lowered, the rail cannot pivot freely and the vanes cannot be opened properly.



To Close Vanes

To Open Vanes

## Continuous-Loop Lift Product Detail (U.S. ONLY)

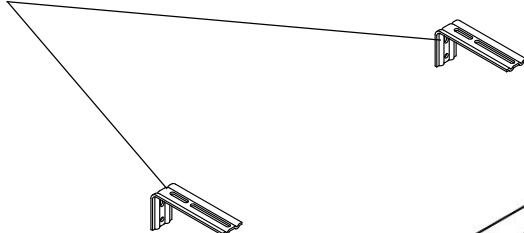


# General Information

## Enclosed Loop Lift Product Detail (Canada ONLY)

### Projection Bracket (optional)

- Medium 3¼"
- Long 4"



### Installation Bracket

- Shade can be top or back mounted only

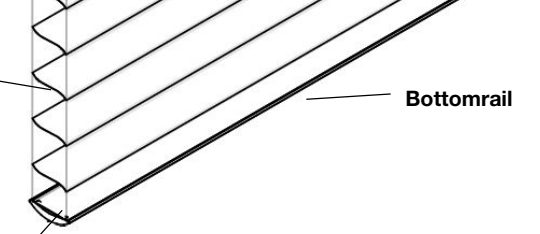


### Cassette End Cap

- Provides a finished look to the shade



### Fabric



### Bottomrail

### Bottomrail End Cap



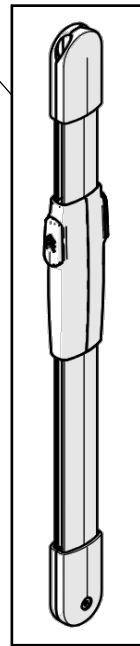
### Fabric-Wrapped Cassette

- Standard



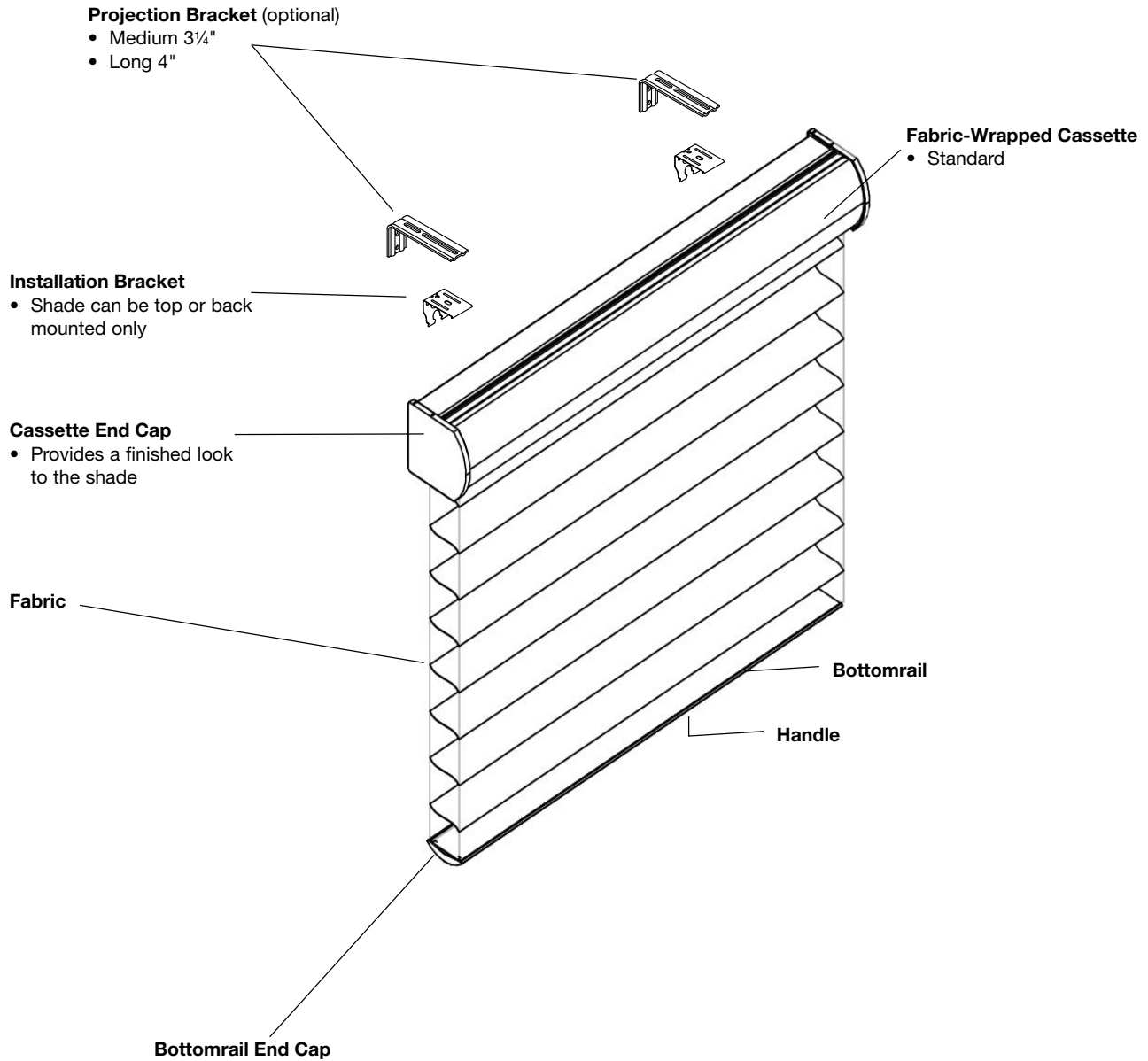
### Enclosed Loop Lift Cord Control

- Length remains the same regardless of shade position



# General Information

## Cordless Lift Product Detail



# General Information

## Color Coordination Charts

Default color coordination is listed below. If desired, color coordination can be selected at the time of order.

Style	Color Name	Bottomrail Color	Continuous-Loop Lift Color	
Contemporary 2"	Angelhair	Cream	Bamboo	
	Radiant Moon	White Satin	Bamboo	
	Quicksilver	Classic Gray	Smokey Gray	
Diamond Radiance 2"	Fresh White	White Satin	Bamboo	
	Mixed Metals	Classic Gray	Smokey Gray	
	Soft Silver	Classic Gray	Smokey Gray	
Diamond Radiance 3"	Twilight Dream	Coffee	Cocoa	
	Twilight Moon	Classic Gray	Smokey Gray	
Glimmer 2"	Ashwood	Classic Gray	Smokey Gray	
Grafton 2" Grafton 3"	Camel	Cream	Tuscany	
	Chalk	White Satin	Bamboo	
	Cherry Blossom	White Satin	Bamboo	
	Fresh Lily	White Satin	Bamboo	
	Parchment	Cream	Bamboo	
	Starstruck	White Satin	Bamboo	
	Urban Gray	Classic Gray	Smokey Gray	
	Warm Gray	Classic Gray	Smokey Gray	
	Grafton Glitter 2" Grafton Glitter 3"	Glam	Classic Gray	Smokey Gray
		Marquee	Cream	Bamboo
Showstopper		Cream	Bamboo	
Grafton Weave 2" Grafton Weave 3"	Silver Screen	White Satin	Bamboo	
	Rattan	Sand	Tuscany	
	Rustic	Coffee	Cocoa	
	Silver Pearl	Classic Gray	Smokey Gray	
	Waving Wheat	Cream	Tuscany	
Grand Illusion 2"	Essential White	White Satin	Bamboo	
	Moonbeam	Classic Gray	Smokey Gray	
	Skyline	Classic Gray	Smokey Gray	
Hurricane 2"	Confetti	Cream	Bamboo	
Lattice 2"	Modern Ivory	Cream	Bamboo	
	Slate	Classic Gray	Smokey Gray	
Raina 3"	Creamy Tan	Sand	Tuscany	
	Fresh Snow	White Satin	Bamboo	
	Hot Cocoa	Coffee	Cocoa	
	Natural White	Cream	Bamboo	
	Silver Cloud	Classic Gray	Smokey Gray	
	Walnut Shell	Coffee	Cocoa	

**NOTE:** Certain components are only available in limited colors.

# General Information

## Color Coordination Charts (cont.)

Default color coordination is listed below. If desired, color coordination can be selected at the time of order.

Style	Color Name	Bottomrail Color	Continuous-Loop Lift Color
Rooted Earth 2"	Porpoise	Classic Gray	Smokey Gray
	Soft Sand	Cream	Bamboo
	Summer Gray	Classic Gray	Smokey Gray
Soft Glow 2"	Dawn	Sand	Tuscany
	Gray	Classic Gray	Smokey Gray
	Indigo	Classic Gray	Smokey Gray
	Lilac	Classic Gray	Smokey Gray
	Sage	Classic Gray	Smokey Gray
	Silver	Coffee	Cocoa
	Sky	Classic Gray	Smokey Gray
Tisbury 1"	Cherry Blossom	White Satin	Bamboo
	Urban Gray	Classic Gray	Smokey Gray
Westford 2"	Cherry Blossom	White Satin	Bamboo
Westford 2¾"	Vanilla Crème	Cream	Bamboo
Woven Grids 2"	Twilight Chic	Sand	Tuscany
Woven Grids 3"	Twilight Glow	Classic Gray	Smokey Gray

Bottomrail Colors
Classic Gray
Clover
Coffee
Cream
Sand
White Satin

Continuous-Loop Lift Cord Colors
Bamboo
Cocoa
Redwood
Smokey Gray
Tuscany

Continuous-Loop Lift Lengths (inches)
18
24
36
48
60
72
84

Cord Tensioner Colors (U.S. Only)
White
Cream
Clear

Canada ONLY
Enclosed Loop Lift Colors
White
Gray
Cream
*Consumer choice

Canada ONLY
Enclosed Loop Lift Lengths (inches)
18
24
36
48
60
72
84

**NOTE:** Certain components are only available in limited colors. Tensioner color must be selected for Continuous-Loop Lift.

Control Lengths for Enclosed Loop	
Finished Blind Height (inches)	Enclosed Loop Cover Length (inches)
36	18
48	24
60	36
72	48
84	60
96	72
108≥	84

**NOTE:** Enclosed Loop length in relation to the final shade length will vary between +/- 3 to 6 in. based on size of shade.



Bali is a brand of Springs Window Fashions, the Best Experience Company

Bali and the Bali logo are registered trademarks of Springs Window Fashions, LLC.

(03/24) 23-516454