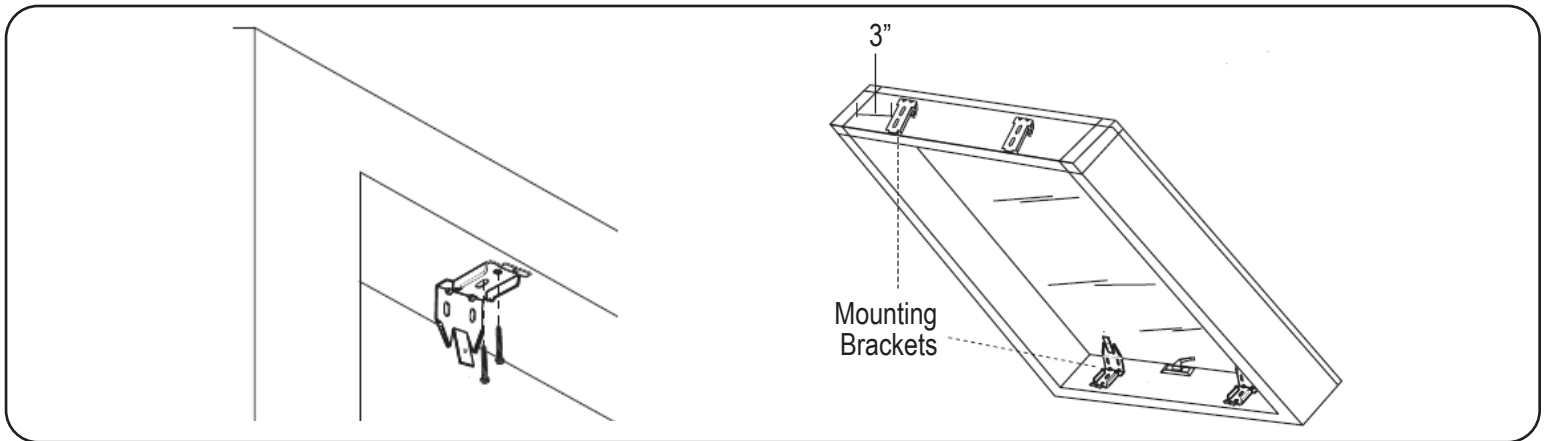


IMPORTANT: This application **MUST** be installed as an inside mount.

1. Installing the Brackets

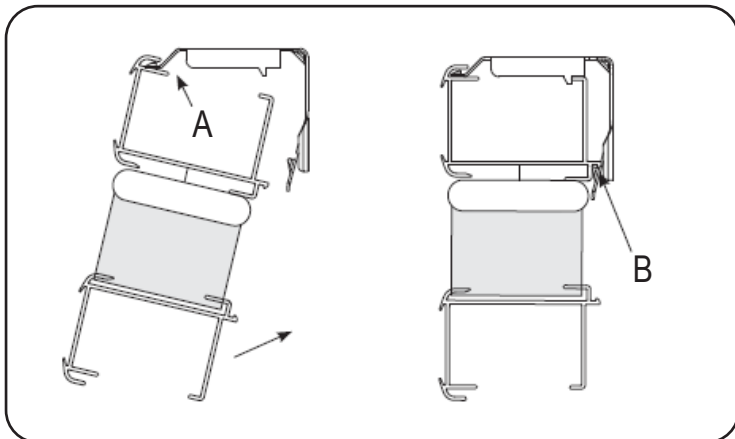


Using the mounting bracket (included) as a template, measure to the edge of the bracket and mark the hole locations with a pencil for drilling. End brackets should be located approximately 3" from either end. Use a 3/32" drill bit to drill holes for the screws. Depending on the width of the shade, additional brackets may be necessary, evenly spaced between the two end brackets.

IMPORTANT: If you are fastening the installation brackets to drywall, be sure to use wall anchors and follow the instructions provided with the anchors. (Anchors not provided)

2. Installing the Top Rail

IMPORTANT: Prior to installing the shade, attach the power supply to the motor and pair the motor with the remote using the included remote instructions

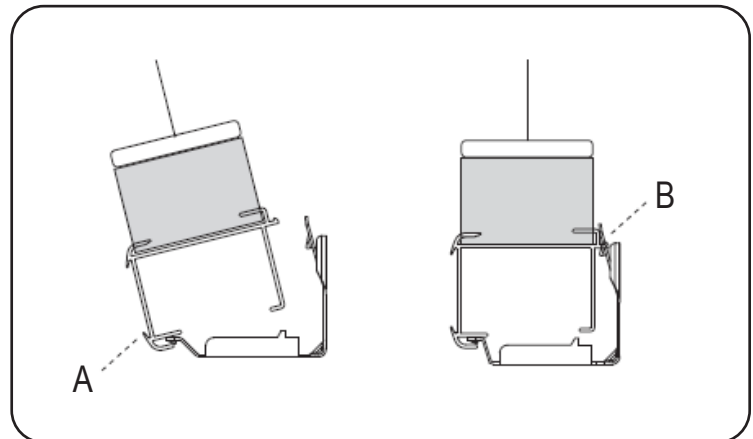


Start with the top rail (the rail with the motor in it). Make sure that the receiver wire is out of the headrail before mounting. Position the receiver wire so that it is facing into the room and position the motor wire so that it comes out the back side of the shade, ensuring it is not pinched by the bracket.

Position the rail with the front lip (A) resting on the hooks of all the brackets. Push the rail firmly up and toward the window until the groove on the rail snaps into place, (B) as shown. After the top rail has been installed, the power supply should be connected and Solar Panel (if ordered with rechargeable battery pack) should be attached.

3. Installing the Bottom Rail

IMPORTANT: Make sure remote is paired to shade before installing.

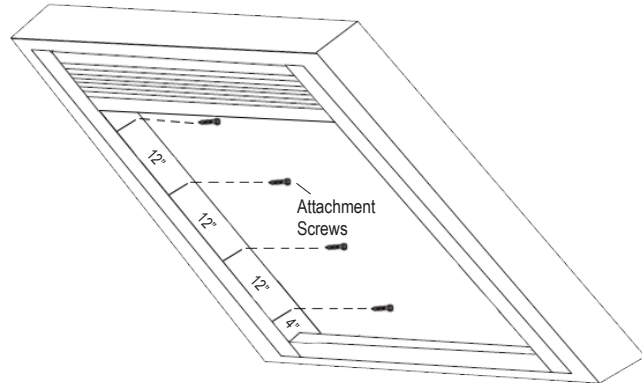
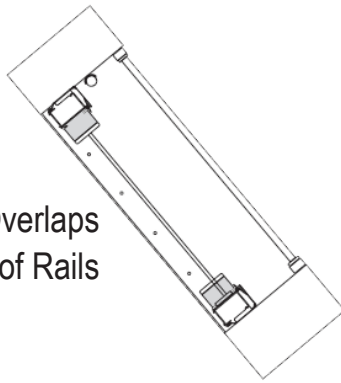


Position the rail with the front lip (A) resting on the hooks of all the brackets. Push the rail firmly down and toward the window until the groove on the rail snaps into place, (B) as shown.

INSTALLATION INSTRUCTIONS

4. Installing the Tracks

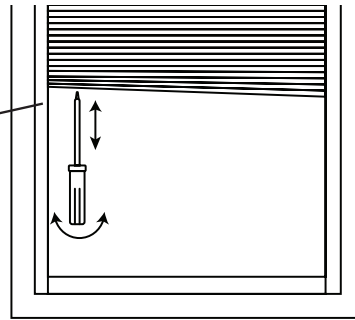
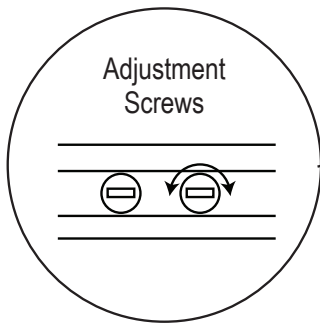
Front of Track Overlaps
Front of Rails



Place the track against the front of the top and bottom rails. Attach the track with the screws provided. Space the screws no more than 12" apart. Follow the same procedure for the other track. Make sure that the 2 tracks are parallel to each other.

5. Leveling the Moving Rail

Adjustment
Screws



If the moving rail is uneven it can be leveled using the shade adjust on the bottom of the rail. Use a flat head screwdriver or a dime to turn the adjustment screw to raise or lower that side of the bottom rail. The adjustment screw is on the bottom of the moving rail. One quarter turn of the screw will move the moving rail up or down approximately 1/4"

IMPORTANT: Over-turning the adjustment screw (more than 1" of adjustment) can cause the cord to tangle or wedge inside the rail. The screw should turn easily – Do Not Force

Troubleshooting

THE MOTOR DOES NOT WORK.

- Check that the power source and motor are connected properly.
- Check that the power supply is connected properly and charged. (if applicable)

THE MOTOR CONTINUES TO RUN IN ONE DIRECTION.

- The limit setting was unsuccessful and needs to be reset.

THE MOTOR STOPS WORKING OR WORKS INTERMITTENTLY.

- Recharge the batteries. If a solar panel is in use, ensure the connection to the battery is secure. Check to make sure any transformer or other external power supply is securely connected.

