

ALUMINUM HORIZONTAL BLINDS

Product Information Guide

Features and Size Considerations

1" Professional Cordless Aluminum, 1" Builder Cordless Aluminum, 2" Cordless Aluminum	2
Cordless Lift Blinds, Depth Requirements for Inside Mount.	3

Options

Summary	4
Tilt Controls	4
Cordless Lift	4
Control Length Chart for Wands	4
Multiple Blinds on One Headrail	5

General Information

Valance Measuring Information	6
Valance Ordering Information	6
Stack Height Chart	7
Slat Count Chart	8
Slat Route and Ladder Count Charts	9
1" Professional Cordless Aluminum Product Detail	10
1" Builder Cordless Aluminum Product Detail.	11
2" Cordless Aluminum Product Detail.	12
Cleaning Instructions.	12

PLEASE NOTE:

Photos and illustrations are for inspiration only.

Not all product configurations are available in all countries.

Window blind cords are a strangulation hazard for young children. Consult your dealer or store associate for cordless products, or products with inaccessible cords. Remove this product immediately if a cord longer than 22 cm, or a loop exceeding 44 cm, becomes accessible.

Features

1" Professional Cordless Aluminum

- Improved safety for children's rooms and play areas
- Cordless lift system allows blind to be raised and lowered easily
- Cordless lift handle keeps the blind clean
- Gear-driven motor provides smooth, quiet operation
- 1" aluminum, .006 gauge slats
- Sleek headrail design features a lightblocking lip and requires no valance (1½" x 2¾" aluminum)
- Hidden headrail brackets reduce light gaps
- Clutch wand tilt releases to prevent damage
- Our painting process allows slats to resist dust, stains, scratches, mold, and mildew
- Color-coordinated components provide a finished look



1" Builder Cordless Aluminum

- 1" aluminum, .006 gauge slats
- Headrail requires minimal mounting depth (1" x 1½" steel)
- Clutch wand tilt releases to prevent damage
- Our painting process allows slats to resist dust, stains, scratches, mold, and mildew
- Color-coordinated components provide a finished look
- Box bracket installation

2" Aluminum

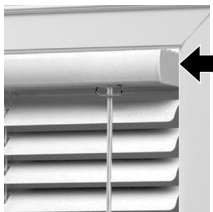
- Proportionate for large windows
- Maximizes view to outside when slats are open
- 2" aluminum, .008 gauge slats
- Low profile headrail (1⅝" x 2¼" steel)
- Box bracket installation
- Deluxe channel panel valance provides a sleek finished look
- Our painting process allows slats to resist dust, stains, scratches, mold, and mildew
- Color-coordinated components provide a finished look

Size Considerations

Cordless Lift Blinds									
Styles									
	Single Panel Cordless Lift Blinds				Multiple Blinds on One Headrail with Cordless Lift				
	Width		Height		Width			Height	
	Min* (in)	Max (in)	Min (in)	Max (in)	Panel Min* (in)	Panel Max (in)	Blind Max (in)	Min (in)	Max (in)
1" Professional Cordless Aluminum	18 exact	96	12	96	18	60	120 (2-on-1) 144 (3-on-1) ^Δ	12	96
1" Builder Cordless Aluminum	18 exact	96	12	96	18	60	120 (2-on-1) 144 (3-on-1)	12	96
2" Insert Cordless Aluminum	17 exact	84	24	84	34	84	142 (2-on-1)	17	84

*For all inside mount applications: a $\frac{3}{8}$ " deduction is taken by manufacturer on the overall width for 1" Professional; a $\frac{1}{2}$ " deduction is taken by manufacturer on the overall width for 1" Builder and 2" Aluminum.

^ΔThe control for the center panel on a three-on-one cordless lift blind will always be on the left.

Depth Requirements for Inside Mount				
Blind Type	Headrail Dimensions (inches)			Flush Mount with Valance (inches)
		Minimum Depth Mount (inches)	Flush with Casing (inches)	
1" Professional Cordless Aluminum	1 x $2\frac{3}{16}$	$\frac{3}{4}$	$2\frac{1}{4}$	N/A
1" Builder Cordless Aluminum	1 x $1\frac{1}{2}$	$\frac{3}{4}$	$1\frac{1}{8}$	N/A
2" Aluminum	$1\frac{1}{8}$ x $2\frac{1}{4}$	$\frac{3}{4}$	$2\frac{3}{8}$ and $3\frac{1}{8}$	$3\frac{1}{8}$

Options

Summary

The following is a chart of options for 1" and 2" aluminum blinds. Options that are available vary by blind type. See specific option for availability and detailed descriptions on the following pages.

Features	1" Professional Cordless Aluminum	1" Builder Cordless Aluminum	2" Cordless Aluminum
Control Location			
Standard (Tilt Left)	•	•	•
Reverse	•	•	•
Multiple Blinds on One Headrail	•	•	•
Projection Brackets—1¾", 2¾", 4¾" (outside mount only), 1¼" not available for 2" Cordless Aluminum	•	•	•
Side Mount Brackets	•*	Standard	Standard
Sky Poles			
3 to 6½ feet	•	•	•
5 to 9½ feet	•	•	•
Valance		•	•
Wand Tilt	Standard	Standard	Standard

*Available up to 60" wide.

Cordless Lift



- Cordless lift system allows blinds to be raised and lowered easily
- Cordless lift handle keeps the blind clean
- Our painting process allows slats to resist dust, stains, scratches, mold, and mildew
- Color-coordinated components provide a finished look

Wand Control Length Chart

Finished Blind Height (inches)	Wand Length (inches)
Up to 36	12
36 ⁷ / ₁₆ to 60	20
60 ⁷ / ₁₆ to 70	30
70 ⁷ / ₁₆ to 80	40
80 ⁷ / ₁₆ to 90	50
90 ⁷ / ₁₆ to 96	60

NOTE: The control lengths listed above may not fit your control needs based on window location or operator. Special length wands may be requested at time of ordering.

Options

Multiple Blinds on One Headrail



Gap $\frac{3}{8}$ "

- **Surcharge: blinds to the left of the dashed line on the price charts**
- **No charge: blinds to the right of the dashed line on the price charts**
- Two or more blinds can be installed on a single headrail to provide a practical treatment for larger windows or sliding patio doors
- Due to weight limitations, some blinds must be manufactured as two or three blinds on one headrail

Options: Standard Controls

Multiple Blinds	Panel	Control Locations
Cordless Lift		
Two-On-One Headrail	Left Right	Tilt/left Tilt/right
Three-On-One Headrail	Left Center Right	Tilt/left Tilt/left Tilt/right

NOTE: For two-on-one headrail, no panel can have lift control located in the center of the blind. Non-standard control positions can be requested.

NOTE: The control for the center panel on a three-on-one cordless lift blind will always be on the left.

Measuring

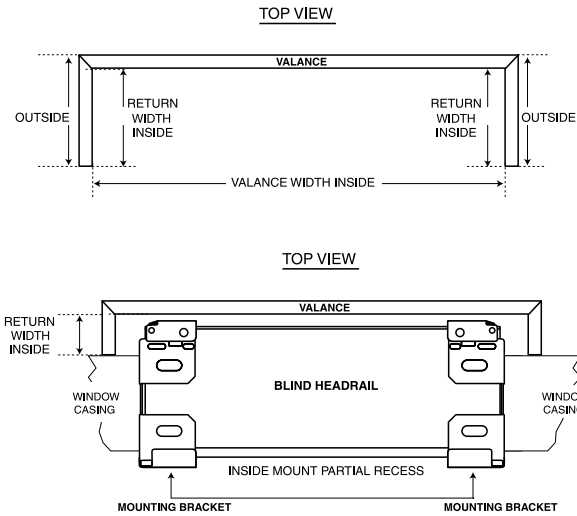
1. Measure overall width of the area to be covered. If space permits, an overlap of $1\frac{1}{2}$ " per side is recommended for outside mounts.
2. Measure the width of the area each blind is to cover. Measure and specify the left blind first, continuing to the right. Allow a minimum of $\frac{1}{4}$ " between blinds for operating clearance. **NOTE:** Cordless lift has minimum $\frac{3}{8}$ " gap.
3. Total width of all blinds, plus clearance(s), must equal overall width.
4. Measure height as follows:
 - a. For windows, use standard inside or outside measuring procedures.
 - b. For patio doors, measure height within $\frac{3}{4}$ " of floor, either from ceiling or a point at least $6\frac{1}{2}$ " above the door frame. (Check slat count tables if blind is to completely clear the doorway.)

Ordering

1. Indicate whether two or three blinds are to be mounted on one headrail.
2. Specify total width of headrail.
3. Indicate each panel width separately, specify left blind first, continuing to the right.
4. Specify control positions.
5. Add appropriate surcharge, if to the left of the dashed line on the price chart.

General Information

Valance Measuring Information



Valances are supplied with your order in one of the following styles depending on how your blind will be mounted. For a more custom look, the valance and returns may be special ordered to your measurements.

NOTE: Valances with returns are measured and cut from the INSIDE of the miter to ensure the most accurate fit when installed over the headrail or window frame.

Blinds ordered as an outside mount will be supplied with returns sized to cover the end of the blind back to the mounting surface. If projection brackets are requested when the blind is ordered, wider returns will be sent automatically. Outside mount blinds are available without returns upon request. Blinds ordered as an inside mount are supplied without returns and look best when the blind and valance can be completely recessed because the ends of the valance are straight cut. Returns are available if requested at the time of order for inside mount blinds that are not completely recessed.

NOTE: Minimum return width is 1¼".

Additional ordering information:

- Please state at the time of order if the valance and return measurements are for the exact size required so that no additions or deductions are made.

Valance Ordering Information

Blind Type	Valance Style	Tilt Type	Return Width (inches)	Full Recess Depth (inches)
1" Builder Cordless Aluminum	Two-slat valance	All	2⅞	2½
2" Cordless Aluminum	Deluxe channel panel	All	3⅞	3⅞

Additional information: all measurements listed above are to the inside.

1. Full recess is from front of valance to wall.
2. Return width is from inside miter to wall.
3. Partial recess—subtract actual window recess from return width to arrive at exact return width.

General Information

Stack Height Chart

Finished Blind Height (inches)	1" Professional Cordless Aluminum (inches)	1" Builder Cordless Aluminum (inches)	2" Cordless Aluminum (inches)
10	2	2	3 ³ / ₈
15	2 ¹ / ₈	2 ¹ / ₈	3 ¹ / ₂
20	2 ¹ / ₄	2 ¹ / ₄	3 ⁵ / ₈
25	2 ³ / ₈	2 ³ / ₈	3 ⁷ / ₁₆
30	2 ¹ / ₂	2 ¹ / ₂	3 ⁹ / ₁₆
35	2 ⁹ / ₁₆	2 ⁹ / ₁₆	3 ¹¹ / ₁₆
40	2 ⁷ / ₁₆	2 ⁷ / ₁₆	4 ¹ / ₁₆
45	2 ³ / ₄	2 ³ / ₄	4 ³ / ₁₆
50	2 ⁵ / ₈	2 ⁵ / ₈	4 ⁵ / ₁₆
55	3	3	4 ⁷ / ₁₆
60	3 ¹ / ₁₆	3 ¹ / ₁₆	4 ¹ / ₂
65	3 ³ / ₁₆	3 ³ / ₁₆	4 ³ / ₈
70	3 ¹ / ₄	3 ¹ / ₄	4 ⁵ / ₈
75	3 ⁷ / ₁₆	3 ⁷ / ₁₆	4 ⁷ / ₈
80	3 ⁹ / ₁₆	3 ⁹ / ₁₆	5
85	3 ¹¹ / ₁₆	3 ¹¹ / ₁₆	5 ¹ / ₈
90	3 ¹³ / ₁₆	3 ¹³ / ₁₆	
96	3 ¹⁵ / ₁₆	3 ¹⁵ / ₁₆	

NOTE: Estimated finished blind heights include headrail and bottomrail.

General Information

Slat Count Chart

Finished Blind Height (inches)	1" Professional Cordless Aluminum	1" Builder Cordless Aluminum	2" Cordless Aluminum
10		11	6
11		13	7
12	13	14	7
13	14	15	8
14	16	16	9
15	17	17	9
16	18	18	10
17	19	19	10
18	20	20	11
19	22	22	11
20	23	23	12
21	24	24	13
22	25	25	13
23	26	26	14
24	27	27	14
25	29	28	15
26	30	29	15
27	31	31	16
28	32	32	17
29	33	33	17
30	35	34	18
31	36	35	18
32	37	36	19
33	38	37	20
34	39	38	20
35	40	40	21
36	42	41	21
37	43	42	22
38	44	43	22
39	45	44	23
40	46	45	24
41	47	46	24
42	49	48	25
43	50	49	25
44	51	50	26
45	52	51	26
46	53	52	27
47	55	53	28
48	56	54	28
49	57	55	29
50	58	57	29
51	59	58	30
52	60	59	31
53	62	60	31
54	63	61	32
55	64	62	32
56	65	63	33
57	66	64	33
58	68	66	34
59	69	67	35
60	70	68	35
61	71	69	36
62	72	70	36
63	73	71	37
64	75	72	37
65	76	73	38
66	77	75	39
67	78	76	39
68	79	77	40

Finished Blind Height (inches)	1" Professional Cordless Aluminum	1" Builder Cordless Aluminum	2" Cordless Aluminum
69	81	78	40
70	82	79	41
71	83	80	41
72	84	81	42
73	85	83	43
74	86	84	43
75	88	85	44
76	89	86	44
77	90	87	45
78	91	88	46
79	92	89	46
80	94	90	47
81	95	92	47
82	96	93	48
83	97	94	48
84	98	95	49
85		96	
86		97	
87		98	
88		99	
89		101	
90		102	
91		103	
92		104	
93		105	
94		106	
95		107	
96		108	

General Information

Slat Route and Ladder Count Charts

Take inside mount deduction before determining ladder quantity; No deduction taken on outside mount blinds.

1" Professional Cordless Aluminum

For Standard or Reverse Controls

Finished Blind Width (inches)	Slat End Route (inches)	# of Ladders	# of Lifts	# of Center Brackets
18 to 20 ¹⁵ / ₁₆	6	2	2	2
21 to 37	6 ¹ / ₂	2	2	2
37 ¹ / ₁₆ to 61	6 ¹ / ₂	3	2	2, 3 over 42" FBW
61 ¹ / ₁₆ to 85	6 ¹ / ₂	4	4	3, 4 over 72" FBW
85 ¹ / ₁₆ to 96	6 ¹ / ₂	5	4	4, 5 over 102" FBW

NOTES:

1. Inside mount deduction: ³/₈".
2. Maximum spacing between ladders is 24".
3. Standard control position: tilt left.

1" Builder Cordless Aluminum

For Standard or Reverse Controls

Finished Blind Width (inches)	Slat End Route (inches)	# of Ladders	# of Lifts	# of Center Brackets
5 ¹ / ₂ to 6 ¹⁵ / ₁₆	1 ¹ / ₁₆	2	2	0
7 to 8 ¹⁵ / ₁₆	2	2	2	0
9 to 11 ¹⁵ / ₁₆	3 ¹ / ₄	2	2	0
12 to 20 ¹⁵ / ₁₆	4	2	2	0
21 to 37	6 ¹ / ₂	2	2	0
37 ¹ / ₁₆ to 61	6 ¹ / ₂	3	2	1 over 60" FBW
61 ¹ / ₁₆ to 85	6 ¹ / ₂	4	4	1
85 ¹ / ₁₆ to 96	6 ¹ / ₂	5	4	2 over 96" FBW

NOTES:

1. Inside mount deduction: ¹/₂".
2. Maximum spacing between ladders is 24".

2" Cordless Aluminum

For Standard or Reverse Controls

Finished Blind Width (inches)	Slat End Route (inches)	# of Ladders	# of Lifts	# of Center Brackets
9 to 10 on cord tilt only	2 ³ / ₈	2	2	0
9 to 11 ¹⁵ / ₁₆	2 ³ / ₈	2	2	0
12 to 24	4	2	2	0
24 ¹ / ₁₆ to 36	6	2	2	0
36 ¹ / ₁₆ to 60	6	3	2	1 over 48" FBW
60 ¹ / ₁₆ to 84	6	4	4	2 over 72" FBW

NOTES:

1. Inside mount deduction: ¹/₂".
2. Maximum spacing between ladders is 24".

General Information

1" Professional Aluminum Product Detail

Cordless lift blinds are the safest window blind alternative; ideal for homes with children and pets. Elimination of lift cords and cord loops provides a more attractive appearance.

Internal Cord Lift System

- Prevents cords from tangling or rolling on top of each other

Dust Cover

- Reduces build-up of dust and debris which would otherwise slow down internal workings

Clutch Wand Tilt

- Automatically releases to prevent damage when over rotated

Handle

- Keeps the blind clean
- A simple push or pull raises or lowers the blind

Projection Brackets

- Available in 2" or 3½" lengths
- Outside mount only
- Also used for side mount installation

Power Assembly

- Internal gear-driven motor for smooth, quiet operation and long-lasting life

Hidden Headrail Brackets

- Stable, easy to install
- Reduces light gap

Color-coordinated Headrail End Caps

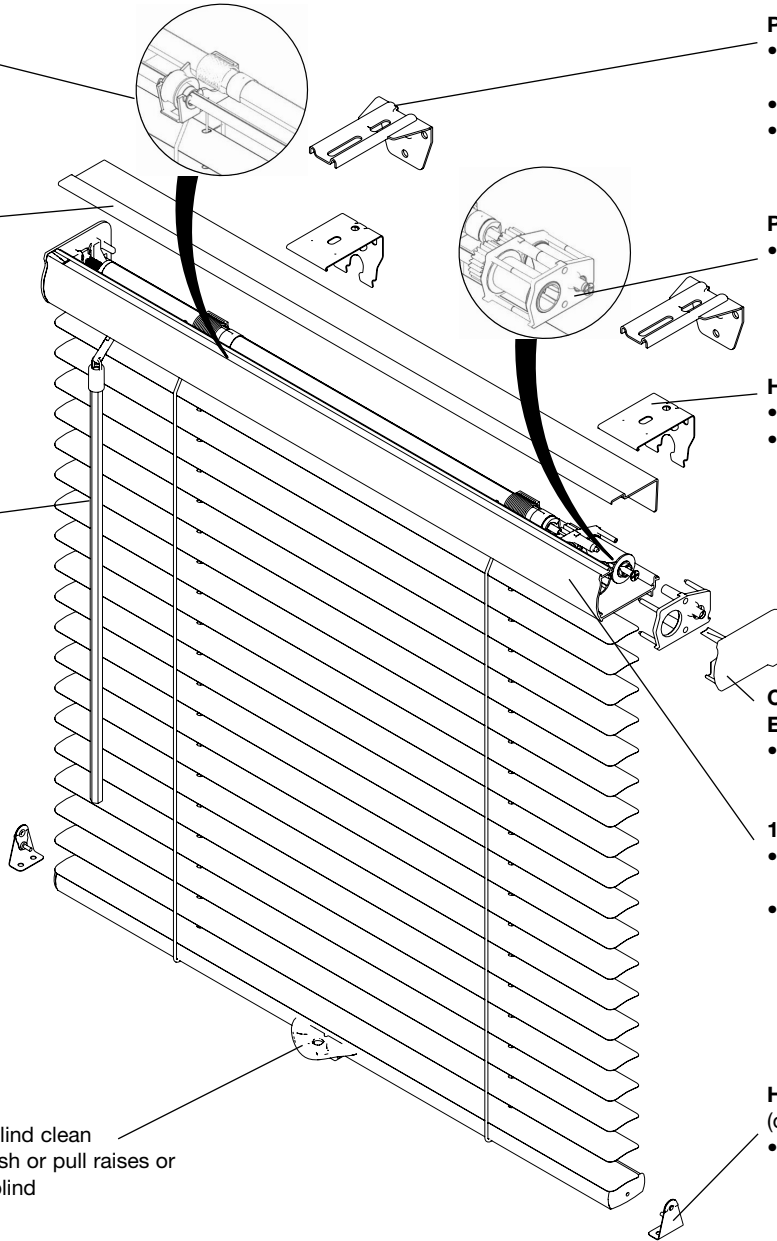
- Provide a custom finished look

1½" x 2⅜" Aluminum Headrail

- Sleek, color-coordinated for a modern look
- No valance required

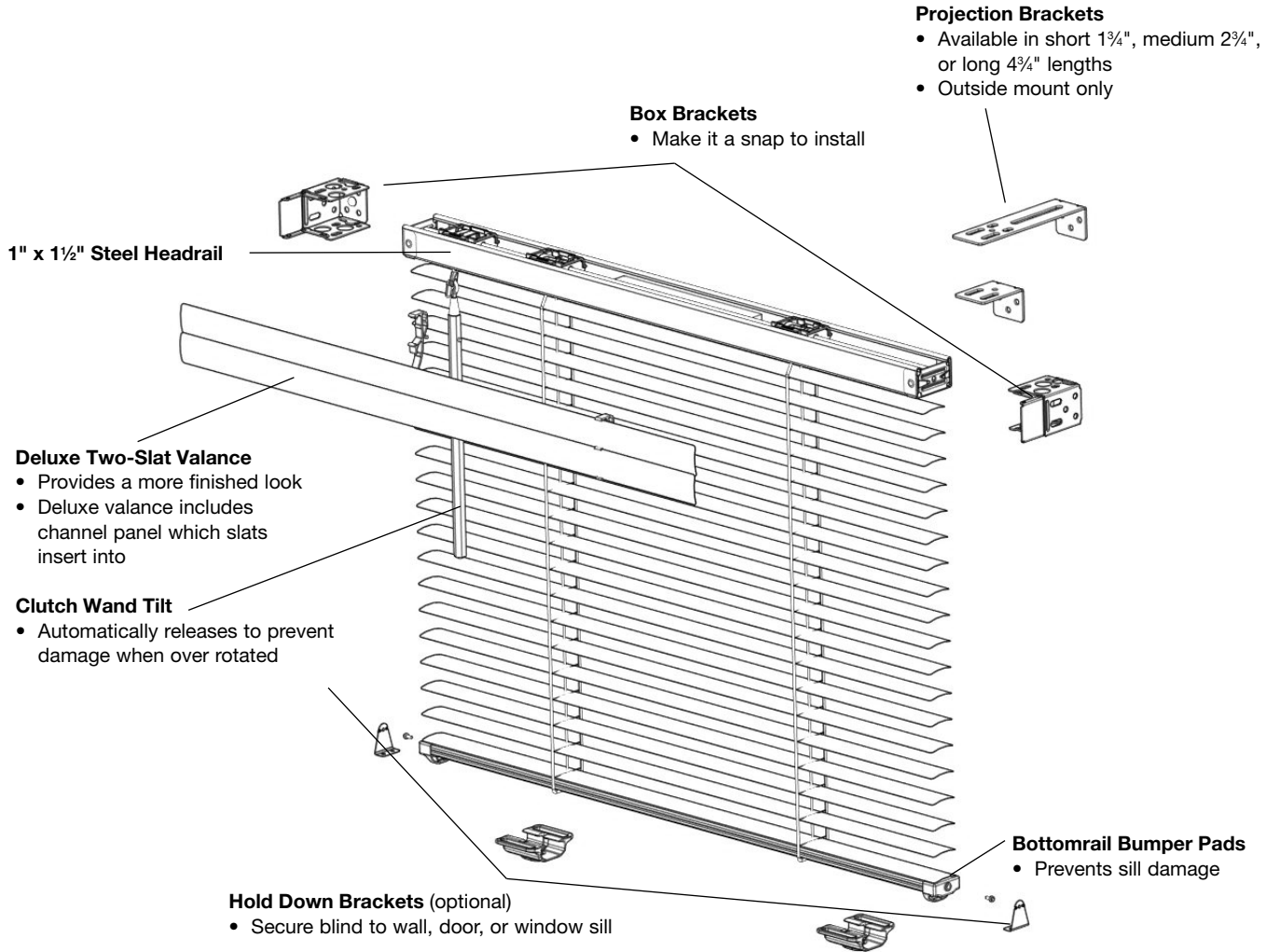
Hold Down Brackets (optional)

- Secure blind to wall, door, or window sill



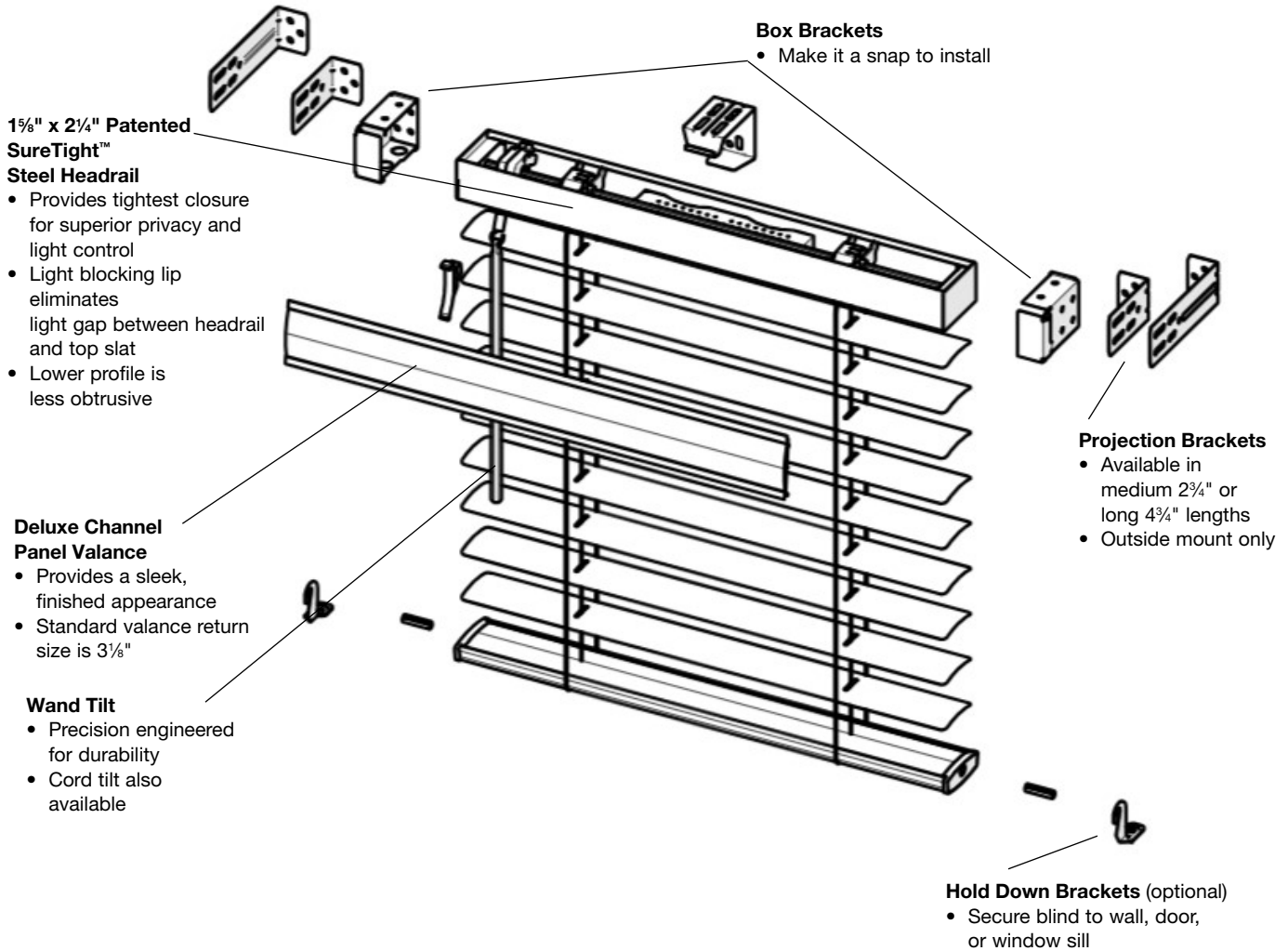
General Information

1" Builder Cordless Aluminum Product Detail



General Information

2" Cordless Aluminum Product Detail



Cleaning Instructions

Occasional light vacuuming with a brush attachment should keep blinds clean. More severe soiling can be removed by using a soft cloth and a mild detergent and water solution.



(02/24) 24-522608